



# MICROWAVE OVEN

**OWNER'S MANUAL**

GCST16S1

**SAFETY INFORMATION** .....3-5

**USING YOUR OVEN**

Oven Features.....6

Controls.....7

Power Levels.....8

Features.....8-10

Defrost.....10-11

Other Features.....12

**CARE AND CLEANING**

Care and Cleaning.....13

**TROUBLESHOOTING**

Things that are Normal.....14

Microwave Terms.....14

**CONSUMER SUPPORT**

Warranty.....15

Consumer Support.....Back Cover

Write the model and serial numbers here:

Model # \_\_\_\_\_

Serial # \_\_\_\_\_

You can find them on a label inside the oven.

## **THANK YOU FOR MAKING GE APPLIANCES A PART OF YOUR HOME.**

---

Whether you grew up with GE Appliances, or this is your first, we're happy to have you in the family.

We take pride in the craftsmanship, innovation and design that goes into every GE Appliances product, and we think you will too. Among other things, registration of your appliance ensures that we can deliver important product information and warranty details when you need them.

Register your GE appliance now online. Helpful websites and phone numbers are available in the Consumer Support section of this Owner's Manual. You may also mail in the pre-printed registration card included in the packing material.



# IMPORTANT SAFETY INSTRUCTIONS

## READ ALL INSTRUCTIONS BEFORE USING THE APPLIANCE

### **⚠ WARNING**

To reduce the risk of burns, electric shock, fire, injury to persons, or exposure to excessive microwave energy:

When using electrical appliances, basic safety precautions should be followed, including the following:

- Read all instructions before using this appliance.
- Read and follow the specific precautions in the PRECAUTIONS TO AVOID POSSIBLE EXPOSURE TO EXCESSIVE MICROWAVE ENERGY section.
- Use this appliance only for its intended use as described in this manual. Do not use corrosive chemicals or vapors in this appliance. This microwave oven is specifically designed to heat, dry or cook food, and is not intended for laboratory or industrial use.
- This appliance should be serviced only by qualified service personnel. Contact nearest authorized service facility for examination, repair, or adjustment.

#### **INSTALLATION**

- Install or locate this appliance only in accordance with the provided installation instructions.
- This appliance must be grounded. Connect only to a properly grounded outlet. See the GROUNDING INSTRUCTIONS section.
- Be certain to place the front surface of the door 3 inches or more back from the counter top edge to avoid accidental tipping of the appliance in normal usage.
- Recommended clearances: 3 inches on each side, 3 inches on the top, and 1 inch in the rear.
- Do not operate this appliance if it has a damaged power cord or plug, if it is not working properly, or if it has been damaged or dropped.
- Keep power cord away from heated surfaces.
- Do not let cord hang over edge of table or counter.
- Do not immerse power cord or plug in water.
- Do not cover or block any opening on the appliance.
- Do not store this appliance outdoors. Do not use this product near water - for example, in a wet basement, near a swimming pool, or in a similar location.
- Do not mount over a sink.

#### **TO REDUCE THE RISK OF FIRE IN THE CAVITY:**

- Do not overcook food. Carefully attend appliance when paper, plastic or other combustible materials are placed inside the oven while cooking.
- Remove wire twist-ties and metal handles from paper or plastic containers before placing them in the oven.
- If materials inside the oven ignite, keep the oven door closed, turn the oven off and disconnect the power cord, or shut off power at the fuse or circuit breaker panel.
- Do not store any materials in the oven when not in use. Do not leave paper products, cooking utensils, or food in the cavity when not in use. All racks should be removed from oven when not in use.
- Do not operate the microwave feature without food in the oven.

#### **TO REDUCE THE RISK OF BURNS**

- Be careful when opening containers of hot food. Use pot holders and direct steam away from face and hands.
- Vent, pierce, or slit containers, pouches or plastic bags to prevent build-up of pressure.
- Be careful when touching the turntable, door, racks, or walls of the oven which may become hot during use. Do not touch heating elements.
- Energized cooktop surface and interior cavity lighting will cause burns. Use caution when cleaning and allow lamps to cool prior to replacement.
- **HOT CONTENTS CAN CAUSE SEVERE BURNS. DO NOT ALLOW CHILDREN TO USE THE MICROWAVE.** Use caution when removing hot items.

## READ AND SAVE THESE INSTRUCTIONS

# IMPORTANT SAFETY INSTRUCTIONS

## READ ALL INSTRUCTIONS BEFORE USING THE APPLIANCE

### ⚠ WARNING

#### OPERATING

- Do not operate the microwave without the turntable in place. The turntable must be unrestricted so it can turn.
- Oversized food or oversized metal cookware should not be used in a microwave/convection oven because they increase the risk of electric shock and could cause a fire.
- Do not use paper products in oven when appliance is operated in any cooking mode except microwave only.
- Make sure all cookware used in your microwave oven is suitable for microwaving. Most glass casseroles, cooking dishes, measuring cups, custard cups, pottery or china dinnerware which does not have metallic trim or glaze with a metallic sheen can be used in compliance with cookware manufacturers' recommendations.
- Do not store anything directly on top of the microwave surface when the microwave is in operation.
- Some products such as whole eggs and sealed containers - for example, closed jars - are able to explode and should not be heated in the microwave oven.
- Do not overcook potatoes. They could dehydrate and catch fire.
- Do not cover a microwave rack or any part of the oven with metal foil. This will cause overheating of the microwave/convection oven.
- Cook meat and poultry thoroughly—meat to at least an INTERNAL temperature of 160°F and poultry to at least an INTERNAL temperature of 180°F. Cooking to these temperatures usually protects against foodborne illness.
- This oven is not approved or tested for marine use.

#### CLEANING

- Disconnect power before cleaning.
- Keep the oven free from grease buildup.
- Do not clean with metal scouring pads. Pieces can burn off the pad and touch electrical parts involving risk of electric shock.
- When cleaning surfaces of door and oven that come together on closing the door, use only mild, nonabrasive soaps, or detergents applied with a clean sponge or soft cloth. Rinse well.

#### SUPER HEATED WATER

- Liquids, such as water, coffee, or tea, are able to be overheated beyond the boiling point without appearing to be boiling. Visible bubbling or boiling when the container is removed from the microwave oven is not always present. **THIS COULD RESULT IN VERY HOT LIQUIDS SUDDENLY BOILING OVER WHEN THE CONTAINER IS DISTURBED OR A SPOON OR OTHER UTENSIL IS INSERTED INTO THE LIQUID.**
- To reduce the risk of injury to persons:
  - Do not overheat the liquid.
  - Stir the liquid both before and halfway through heating it.
  - Do not use straight-sided containers with narrow necks.
  - After heating, allow the container to stand in the microwave oven for a short time before removing the container.
  - Use extreme care when inserting a spoon or other utensil into the container.

#### NOTICE: PACEMAKERS

Most pacemakers are shielded from interference from electronic products, including microwaves. However, patients with pacemakers may wish to consult their physicians if they have concerns.

## READ AND SAVE THESE INSTRUCTIONS

# IMPORTANT SAFETY INSTRUCTIONS

## READ ALL INSTRUCTIONS BEFORE USING THE APPLIANCE

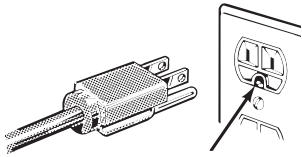
### PRECAUTIONS TO AVOID POSSIBLE EXPOSURE TO EXCESSIVE MICROWAVE ENERGY

- (a) **Do Not Attempt** to operate this oven with the door open since open-door operation can result in harmful exposure to microwave energy. It is important not to defeat or tamper with the safety interlocks.
- (b) **Do Not Place** any object between the oven front face and the door or allow soil or cleaner residue to accumulate on sealing surfaces.
- (c) **Do Not Operate** the oven if it is damaged. It is particularly important that the oven door close properly and that there is no damage to the:
- (1) door (bent),
  - (2) hinges and latches (broken or loosened),
  - (3) door seals and sealing surfaces.
- (d) **The Oven Should Not** be adjusted or repaired by anyone except properly qualified service personnel.

### GROUNDING INSTRUCTIONS

#### ⚠ WARNING

Improper use of the grounding plug can result in a risk of electric shock.



Ensure proper ground exists before use.

This appliance must be grounded. In the event of an electrical short circuit, grounding reduces the risk of electric shock by providing an escape wire for the electric current.

This appliance is equipped with a power cord having a grounding wire with a grounding plug. The plug must be plugged into an outlet that is properly installed and grounded.

Consult a qualified electrician or service technician if the **GROUNDING INSTRUCTIONS** are not completely understood, or if doubt exists as to whether the appliance is properly grounded.

If the outlet is a standard 2-prong wall outlet, it is your personal responsibility and obligation to have it replaced with a properly grounded 3-prong wall outlet. Do not under any circumstances cut or remove the third (ground) prong from the power cord.

A short power-supply cord is provided to reduce risks resulting from becoming entangled or tripping over a longer cord.

Do not use an extension cord. If the power cord is too short, have a qualified electrician or service technician install an outlet near the appliance.

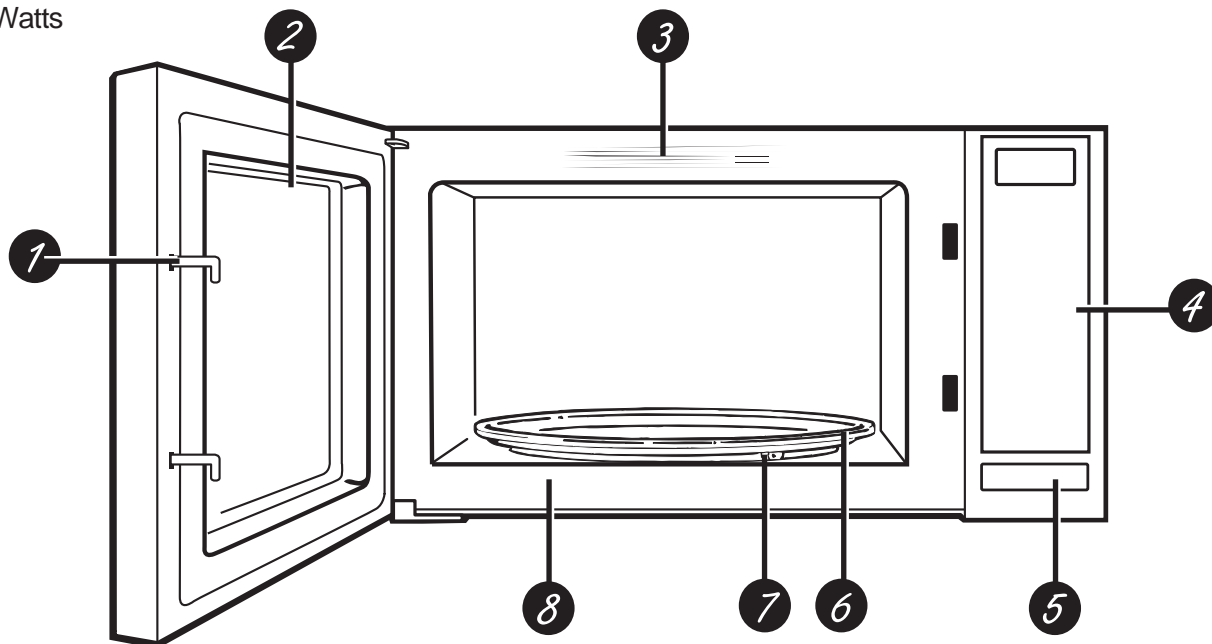
For best operation, plug this appliance into its own electrical outlet to prevent flickering of lights, blowing of fuse or tripping of circuit breaker.

## READ AND SAVE THESE INSTRUCTIONS

# Features

Throughout this manual, features and appearance may vary from your model.

1150 Watts



- 1 **Door Latches**
- 2 **Window with Metal Shield.** Screen allows cooking to be viewed while keeping microwaves confined in the oven.
- 3 **Convenience Guide**
- 4 **Touch Control Panel Display**
- 5 **Door Latch Release.** Press latch release to open door.
- 6 **Removable Turntable.** Turntable and support must be in place when using the oven. The turntable may be removed for cleaning.
- 7 **Removable Turntable Support.** The turntable support must be in place when using the oven.
- 8 **Rating Plate.**

## Changing the power level

**Changing the Power Level:** the power level can be changed only when using **Cook Time** or **Time Defrost** buttons and is explained in the sections for the functions of these buttons.

Variable power levels add flexibility to microwave cooking. The power levels on the microwave oven can be compared to the surface units on a range. Each power level gives you microwave energy a certain percent of the time. **Power level 7** is microwave energy 70% of the time. **Power level 3** is energy 30% of the time. Most cooking will be done on **power level 10** which gives you 100% power. **Power level 10** will cook faster but food may need more frequent stirring, rotating or turning over. A lower setting will cook more evenly and need less stirring or rotating of the food. Some foods may have better flavor, texture or appearance if one of the lower settings is used. Use a lower power level when cooking foods that have a tendency to boil over, such as scalloped potatoes.

Rest periods (when the microwave energy cycles off) give time for the food to “equalize” or transfer heat to the inside of the food. An example of this is shown with **power level 3**—the defrost cycle. If microwave energy did not cycle off, the outside of the food would cook before the inside was defrosted.

Here are some examples of uses for various power levels:

**10:** Fish, bacon, vegetables, boiling liquids.

**Med-High 7:** Gentle cooking of meat and poultry; baking casseroles and reheating.

**Medium 5:** Slow cooking and tenderizing for stews and less tender cuts of meat.

**Low 2 or 3:** Defrosting; simmering; delicate sauces.

**Warm 1:** Keeping food warm; softening butter.

## About the features

### Humidity Sensor

The Sensor Features detect the increasing humidity released during cooking. The oven automatically adjusts the cooking time to various types and amounts of food.

Do not use the Sensor Features twice in succession on the same food portion—it may result in severely overcooked or burnt food. Be sure to let the oven cool down for 5-10 minutes before starting the next sensor cook.

If food is undercooked after the countdown, use Cook Time for additional cooking time.

- The proper containers and covers are essential for best sensor cooking.



Covered

- Always use microwave-safe containers and cover them with lids or vented plastic wrap. Never use tight sealing plastic containers - they can prevent steam from escaping and cause food to overcook.



Vented

- Be sure the outside of the cooking containers and the inside of the microwave oven are dry before placing food in the oven. Beads of moisture turning into steam can mislead the sensor.



Dry off dishes so they don't mislead the sensor.

# About the features

---

## Cook Time

Allows you to microwave from 1 second to 99 minutes and 99 seconds.

1. Press **Cook Time**.
2. Enter cooking time.
3. Power level is automatically set to 10, but if you want to reduce it, press **Power**, then select a level from 0 to 9.
4. Press **Start**.



You may open the door during Cook Time to check the food. Close the door and press START to resume cooking.

---

## Express Cook

This is a quick way to set cooking time from 1-6 minutes.

1. Press one of the **Express Cook** pads (from 1-6) for 1-6 minutes of cooking at **power level 10**. For example, press the 2 pad for 2 minutes of cooking time.

The power level can be changed as time is counting down. Press **POWER LEVEL** and enter 1-10.



**NOTE: Express Cook function pertains to pads 1-6 only.**

---

## Add 30 Sec

It will add 30 seconds to the time counting down each time the pad is pressed. Each touch will add 30 seconds, up to 99 minutes and 99 seconds.

The oven will start immediately when pressed.





# About the features

## Popcorn

To use the **Popcorn** feature:

1. Follow package instructions, using Cook Time if the package is less than 2.5 ounces or larger than 3.0 ounces. Place the package of popcorn in the center of the microwave.
2. Press **Popcorn**.
3. The microwave will start immediately.



Use only with prepackaged microwave popcorn weighing 2.5 to 3.0 ounces.

**IMPORTANT:** Do not use the sensor features twice in succession on the same food portion. If food is undercooked after the first countdown, use **Cook Time** for additional time.

## Reheat

Cover with lid or vented plastic wrap.

1. Press **Reheat** pad.
2. Enter 1 or 2 for the food code – refer to the Cooking Guide for REHEAT. The oven starts immediately.

Do not open the door while the oven is operating.

**IMPORTANT:** Do not use the sensor features twice in succession on the same food portion. If food is undercooked after the first countdown, use **Cook Time** for additional time.



| Cooking Guide for REHEAT feature |                       |              |
|----------------------------------|-----------------------|--------------|
| Enter Code                       | Food Choice           | Weight Range |
| 1                                | Pasta                 | 4-16 oz.     |
| 2                                | Fruits and Vegetables | 4-16 oz.     |

## Beverage

To use the **Beverage** feature:

Press **BEVERAGE** pad. The microwave will automatically be set to heat an 8 ounce beverage. The microwave will start immediately.



**Drinks heated with the Beverage feature may be very hot. Remove the container with care.**

**IMPORTANT:** Do not use the sensor features twice in succession on the same food portion. If food is undercooked after the first countdown, use **Cook Time** for additional time.

# About the features

---

## Potato

To use the **Potato** feature:

1. Press the **POTATO** pad.
2. Enter quantity (1-4 pcs at 6-8 oz. each):
3. The microwave will start immediately.



**IMPORTANT:** Do not use the sensor features twice in succession on the same food portion. If food is undercooked after the first countdown, use **Cook Time** for additional time.

---

## Vegetable

To use the **Vegetable** feature:

1. Press **VEGETABLE** pad.
2. Enter the Vegetable code. See Cooking Guide for Vegetables below for codes.
3. The microwave will start immediately.



**IMPORTANT:** Do not use the sensor features twice in succession on the same food portion. If food is undercooked after the first countdown, use **Cook Time** for additional time.

### Cooking Guide for VEGETABLE Feature

| Vegetable Code | Type of Vegetables | Available Servings | Ounces per Serving   |
|----------------|--------------------|--------------------|----------------------|
| 1              | Fresh              | 4-16 oz.           | 4 ounces per serving |
| 2              | Frozen             | 4-16 oz.           | 4 ounces per serving |
| 3              | Canned             | 1-4 servings       | 4 ounces per serving |

---

## Dinner Plate

To use the **Dinner Plate** feature:

1. Press the **Dinner Plate**.
2. Press **1, 2 or 3** (1 is for 8 oz. of food, 2 is for 12 oz. of food, and 3 is for 16 oz. of food).
3. The microwave will start immediately.



**IMPORTANT:** Do not use the sensor features twice in succession on the same food portion. If food is undercooked after the first countdown, use **Cook Time** for additional time.

# Defrosting

## Defrost

Allows you to defrost either by weight or by time. The Defrosting Guide below provides time recommendations.

**Defrost**  
Weight/Time

1. For Weight Defrost, press the **Defrost Weight/Time** button until it shows “LBS” in the display.
2. Enter weight (from .1 to 6 lbs) then press **Start**.
3. For Time Defrost, press the **Defrost Weight/Time** button until it shows “TIME” in the display.
4. Enter the time (from 1 second to 99 minutes and 99 seconds), then press **Start**.
5. Press **Start/Pause**.

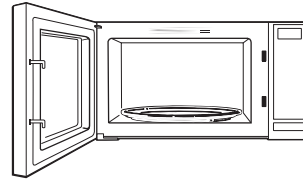
At one half of selected defrosting time, turn food over and break apart or rearrange pieces for more even defrosting. Shield any warm areas with small pieces of foil. The oven will continue to defrost if you don't open the door and turn the food.

A dull thumping noise may be heard during defrosting. This is normal when oven is not operating at power level 10.

### Defrosting Tips

- Foods frozen in paper or plastic can be defrosted in the package. Closed packages should be slit, pierced or vented AFTER food has partially defrosted. Plastic storage containers should be partially uncovered.
- Family-size, prepackaged frozen dinners can be defrosted and microwaved. If the food is in a foil container, transfer it to a microwave-safe dish.

- Foods that spoil easily should not be allowed to sit out for more than one hour after defrosting. Room temperature promotes the growth of harmful bacteria.
- For more even defrosting of larger foods, such as roasts, use **Weight Defrost**. Be sure large meats are completely defrosted before cooking.
- When defrosted, food should be cool but softened in all areas. If still slightly icy, return to the microwave very briefly, or let it stand a few minutes.



There is a handy guide located on the inside front of the oven.

- Remove meat from package and place on microwave-safe dish.
- When the oven signals, turn the food over. Remove defrosted meat or shield warm areas with small pieces of foil.
- After defrosting, most meats need to stand 5 minutes to complete defrosting. Large roasts should stand for about 30 minutes.

## Defrosting Guide

| <i>Food</i>   | <i>Time</i>   | <i>Comments</i>   |
|---|---|---|
| <b>Breads, Cakes</b><br><i>Bread, buns, or rolls</i> (1 piece)<br><i>Sweet rolls</i> (approx. 12 oz.)   | <b>1/4 min.</b><br><b>2 to 4 min.</b>   | Rearrange after half the time.  |
| <b>Fish and Seafood</b><br><i>Filletts, frozen</i> (1 lb.)<br><i>Shellfish, small pieces</i> (1 lb.)  | <b>6 to 9 min.</b><br><b>3 to 7 min.</b>  | Place block in casserole. Turn over and break up after half the time.   |
| <b>Fruit</b><br><i>Plastic pouch—1 or 2</i><br>(10-oz. package)   | <b>1 to 5 min.</b>  |   |
| <b>Meat</b><br><i>Bacon</i> (1 lb.)<br><i>Franks</i> (1 lb.)<br><i>Ground meat</i> (1 lb.)<br><i>Roast: beef, lamb, veal, pork</i><br><i>Steaks, chops and cutlets</i>        | <b>2 to 5 min.</b><br><b>2 to 5 min.</b><br><b>4 to 6 min.</b><br><b>9 to 13 min.</b><br><b>per lb.</b><br><b>4 to 8 min.</b><br><b>per lb.</b> | Place unopened package in oven. Let stand 5 minutes after defrosting.<br>Place unopened package in oven. Microwave just until franks can be separated. Let stand 5 minutes, if necessary, to complete defrosting.<br>Turn meat over after first half of time.<br>Use power level 10.<br>Place unwrapped meat in cooking dish. Turn over after first half of time and shield warm areas with foil. After second half of time, separate pieces with table knife. Let stand to complete defrosting.  |
| <b>Poultry</b><br><i>Chicken, broiler-fryer, cut up</i><br>(2½ to 3 lbs.)<br><i>Chicken, whole</i> (2½ to 3 lbs.)<br><i>Cornish hen</i><br><i>Turkey breast</i> (4 to 6 lbs.) | <b>14 to 20 min.</b><br><b>20 to 25 min.</b><br><b>7 to 13 min.</b><br><b>per lb.</b><br><b>3 to 8 min.</b><br><b>per lb.</b>                   | Place wrapped chicken in dish. Unwrap and turn over after first half of time. After second half of time, separate pieces and place in cooking dish. Microwave 2 to 4 minutes more, if necessary. Let stand a few minutes to finish defrosting.<br>Place wrapped chicken in dish. After half the time, unwrap and turn chicken over. Shield warm areas with foil. To complete defrosting, run cold water in the cavity until giblets can be removed.<br>Place unwrapped hen in the oven breast-side-up. Turn over after first half of time. Run cool water in the cavity until giblets can be removed.<br>Place unwrapped breast in microwave-safe dish breast-side-down. After first half of time, turn breast-side-up and shield warm areas with foil. Defrost for second half of time. Let stand 1 to 2 hours in refrigerator to complete defrosting. |

# About the other features

## Clock

Press to enter the time of day.

1. Press **Clock**.
2. Enter time of day.
3. Press **Clock**.



## Pause

**Start/Pause** allows you to stop cooking without opening the door or clearing the display. Press **Start/Pause** again to restart the oven.



## Pizza

To use the **Pizza** feature:

1. Press the **Pizza**.
2. Enter number of slices of pizza (**1, 2, 3, or 4**).
3. Press **Start/Pause**.



## Timer

The Timer operates without microwave energy.

1. Press **Timer On/Off**.
2. Enter the amount of time you want to count down.
3. Press **Timer On/Off**. When the time is up, the timer will beep.
4. To stop or clear the timer, press **Timer On/Off**.



## Control Lock Out

You may lock the control panel to prevent the microwave from being accidentally started or used by children.

To lock or unlock the controls, press and hold “0” button for about three seconds. When the control panel is locked, “**LOC**” will appear in the display.

## Child Resistant Door Operation

### TO OPEN THE DOOR

The door will automatically lock **every time** a cooking cycle starts

1. Press either **Start/Pause** or **Cancel/Off**
2. Press the **Front button (Door Latch Release)** or pull the handle depending on your model.

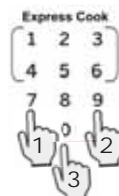
**Note:** Door will remain unlocked until next cooking cycle

## How to Disable Child Lock

In some cases, it may be desirable to disable this feature. For example, households that do not have young children or households where users may have physical limitations

that make it difficult to operate the child resistant door may want to disable the two-step latch. This feature can be disabled by following these steps.

1. Press and hold the “7” key for 3-5 seconds or until you hear a beep. Release.
2. Press the “9” key. Release.
3. Press the “0” key. Release.



UnLo

Disabled Confirmation Message  
Note: some models will simply remove “lock” or “lock icon”

Loc

Enabled Confirmation Message  
Note: some models will display “lock” or “lock icon”

There will be two short beeps and the display will flash “**UnLo**” to confirm the default condition has been updated successfully. To re-enable the child resistant oven door, repeat steps 1-3 above. The display will display “**Loc**” to confirm the feature has been re-enabled.

# Care and Cleaning

## Helpful Hints

An occasional thorough wiping with a solution of baking soda and water keeps the inside fresh.

Unplug the cord before cleaning any part of this oven.



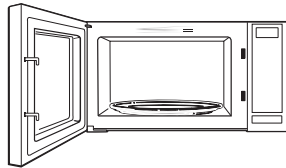
## How to Clean the Inside

### Walls, Floor, Inside Window, Metal and Plastic Parts on the Door

Some spatters can be removed with a paper towel; others may require a damp cloth. Remove greasy spatters with a sudsy cloth, then rinse with a damp cloth. Do not use abrasive cleaners or sharp utensils on oven walls.

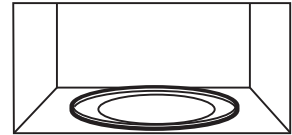
To clean the surface of the door and the surface of the oven that come together upon closing, use only mild, nonabrasive soaps or detergents using a sponge or soft cloth. Rinse with a damp cloth and dry.

Never use a commercial oven cleaner on any part of your microwave.



### Removable Turntable and Turntable Support

To prevent breakage, do not place the turntable into water just after cooking. Wash it carefully in warm, sudsy water or in the dishwasher. The turntable and support can be broken if dropped. Remember, do not operate the oven in the microwave mode without the turntable and support seated and in place.



## How to Clean the Outside

Do not use cleaners containing ammonia or alcohol on the microwave oven. Ammonia or alcohol can damage the appearance of the microwave.

### Case

Clean the outside of the microwave with a sudsy cloth. Rinse with a damp cloth and then dry. Wipe the window clean with a damp cloth.

### Control Panel and Door

Wipe with a damp cloth. Dry thoroughly. Do not use cleaning sprays, large amounts of soap and water, abrasives or sharp objects on the panel—they can damage it. Some paper towels can also scratch the control panel.

### Door Surface

It is important to keep the area clean where the door seals against the microwave. Use only mild, non-abrasive detergents applied with a clean sponge or soft cloth. Rinse well.

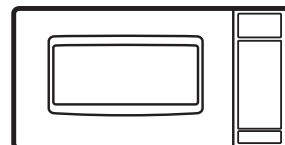
### Power Cord

If the cord becomes soiled, unplug and wash with a damp cloth. For stubborn spots, sudsy water may be used, but be certain to rinse with a damp cloth and dry thoroughly before plugging cord into outlet.

### Stainless Steel (on some models)

Do not use a steel-wood pad; it will scratch the surface.

To clean the stainless steel surface, use a hot, damp cloth with a mild detergent suitable for stainless steel surfaces. Use a clean, hot, damp cloth to remove soap. Dry with a dry, clean cloth. Always scrub lightly in the direction of the grain.



## Troubleshooting Tips

| Problem  | Possible Cause  |
|--|---|
| Oven will not come on  | A fuse in your home may be blown or the circuit breaker tripped. Replace fuse or reset circuit breaker.   |
|  | Unplug your microwave oven, then plug it back in.   |
|  | Make sure 3-prong plug on oven is fully inserted into wall receptacle.  |
| Control panel lighted, yet oven will not start   | Door not securely closed.   |
|  | <b>Start/+30 Sec</b> must be pressed after entering cooking selection.  |
|  | Another selection entered already in oven and <b>Pause/Off</b> not pressed to cancel it.  |
|  | Make sure you have entered cooking time after pressing <b>Cook Time</b> .   |
|  | <b>Pause/Off</b> was pressed accidentally. Reset cooking program and press <b>Start/+30 Sec</b> .   |
|  | Make sure you entered food weight after pressing <b>Defrost Weight</b> .  |
| Oven was paused accidentally. Press <b>Start/+30 Sec</b> to restart the cooking program. |   |
| “FOOD” appears on display  | The control detected that the door has not been opened (food/beverage has not been placed inside).  |
| “LOC” appears on display   | The control panel has been locked. (When the control panel is locked, “LOC” will be displayed.) Press and hold “0” for about 3 seconds to unlock the control panel. |
| “Lock”, “LOCKED” or “Lock icon” appears on display                                       | The control panel/door is locked. Check operation of control lockout and child resistant door features on page 12 for remedy.                                       |
| “PF” appears on display  | A Power Failure has occurred. Press <b>Pause/Off</b> to clear the display.  |

### Things That Are Normal With Your Microwave Oven

- Steam or vapor escaping from around the door.
- Light reflection around door or outer case.
- Dimming oven light and change in the blower sound at power levels other than high.
- Dull thumping sound while oven is operating.
- TV/radio interference might be noticed while using the microwave. Similar to the interference caused by other small appliances, it does not indicate a problem with the microwave. Plug the microwave into a different electrical circuit, move the radio or TV as far away from the microwave as possible, or check the position and signal of the TV/radio antenna.

## Microwave Terms

| Term          | Definition  |
|---------------|---|
| Arcing        | Arcing is the microwave term for sparks in the oven. Arcing is caused by: <ul style="list-style-type: none"> <li>■ metal or foil touching the side of the oven.</li> <li>■ foil that is not molded to food (upturned edges act like antennas).</li> <li>■ metal such as twist-ties, poultry pins, gold-rimmed dishes.</li> <li>■ recycled paper towels containing small metal pieces.</li> <li>■ plates or dishes with a metallic trim or glaze with a metallic sheen.</li> </ul> |
| Covering      | Covers hold in moisture, allow for more even heating and reduce cooking time. Venting plastic wrap or covering with wax paper allows excess steam to escape.  |
| Shielding     | In a regular oven, you shield chicken breasts or baked foods to prevent over-browning. When microwaving, you use small strips of foil to shield thin parts, such as the tips of wings and legs on poultry, which would cook before larger parts.  |
| Standing Time | When you cook with regular ovens, foods such as roasts or cakes are allowed to stand to finish cooking or to set. Standing time is especially important in microwave cooking. Note that a microwaved cake is not placed on a cooling rack.  |
| Venting       | After covering a dish with plastic wrap, you vent the plastic wrap by turning back one corner so excess steam can escape.   |

# GE Appliances Microwave Oven Limited Warranty

**WARRANTY**

Staple your receipt here. Proof of the original purchase date is needed to make a warranty claim.

| For the period of   | GE Appliances Will Choose to Repair or Replace:  |
|---|--|
| <b>One year</b><br>From the date of the original purchase | Any product which fails due to a defect in materials or workmanship. The exchange unit is warranted for the remainder of your product's original one-year warranty period. |

**In Order to Make a Warranty Claim:**  
 Call GE Appliances at 800 GE CARES (800 432-2737). Have the model number and serial number available.

**What GE Appliances Will Not Cover:**

- **Customer instructions.** This owner's manual provides information regarding operating instructions and user controls. The Owner's Manual is available online at [GEAPPLIANCES.com](http://GEAPPLIANCES.com)
- **Improper installation, delivery or maintenance.**
- **Failure of the product or damage to the product if it is abused, misused (for example, cavity arcing from wire rack or metal/foil), or used for other than the intended purpose or used commercially.**
- **Replacement of house fuses or resetting of circuit breakers.**
- **Damage to the product caused by accident, fire, floods or acts of God.**
- **Incidental or consequential damage caused by possible defects with this appliance.**
- **Damage caused after delivery.**

**EXCLUSION OF IMPLIED WARRANTIES**  
 Your sole and exclusive remedy is product repair as provided in this Limited Warranty. Any implied warranties, including the implied warranties of merchantability or fitness for a particular purpose, are limited to one year or the shortest period allowed by law.

This limited warranty is extended to the original purchaser and any succeeding owner for products purchased for home use within the USA.

Some states do not allow the exclusion or limitation of incidental or consequential damages. This limited warranty gives you specific legal rights, and you may also have other rights which vary from state to state. To know what your legal rights are, consult your local or state consumer affairs office or your state's Attorney General.

Exclusion of implied warranties: Except where prohibited or restricted by law, there are no warranties, whether express, oral or statutory which extend beyond the description on the face hereof, including specifically the implied warranties of merchantability or fitness for a particular purpose.

**Warrantor: GE Appliances, a Haier company**

# Consumer Support

---

## GE Appliances Website

Have a question or need assistance with your appliance? Try the GE Appliances Website 24 hours a day, any day of the year! You can also shop for more great GE Appliances products and take advantage of all our on-line support services designed for your convenience. In the US: [GEAppliances.com](http://GEAppliances.com)

---

## Register Your Appliance

Register your new appliance on-line at your convenience! Timely product registration will allow for enhanced communication and prompt service under the terms of your warranty, should the need arise. You may also mail in the pre-printed registration card included in the packing material. In the US: [GEAppliances.com/register](http://GEAppliances.com/register)

---

## Parts and Accessories

Individuals qualified to service their own appliances can have parts or accessories sent directly to their homes (VISA, MasterCard and Discover cards are accepted). Order on-line today 24 hours every day. In the US: [GEApplianceparts.com](http://GEApplianceparts.com) or by phone at 877.959.8688 during normal business hours.

**Instructions contained in this manual cover procedures to be performed by any user. Other servicing generally should be referred to qualified service personnel. Caution must be exercised, since improper servicing may cause unsafe operation.**

---

## Contact Us

If you are not satisfied with the service you receive from GE Appliances, contact us on our Website with all the details including your phone number, or write to:

In the US: General Manager, Customer Relations | GE Appliances, Appliance Park | Louisville, KY 40225  
[GEAppliances.com/ge/service-and-support/contact.htm](http://GEAppliances.com/ge/service-and-support/contact.htm)





# HORNOMICROONDA

**INFORMACIÓN DE SEGURIDAD . . 3-5**

**USO DE LA HORNO**

Funciones de su horno . . . . . 6

Controles . . . . . 7

Nivel de Potencia . . . . . 8

Acerca de las funciones . . . . . 8-10

Descongelación . . . . . 11

Terminología de microondas . . . . . 14

**CUIDADO Y LIMPIEZA**

Cuidado y limpieza . . . . . 13

**CONSEJOS PARA LA SOLUCIÓN DE PROBLEMAS . . . . . 14**

**GARANTÍA . . . . . 15**

**SOPORTE PARA EL CONSUMIDOR . . 16**

**Manual del propietario**

**GCST16S1**

Escriba los números de modelo y de serie aquí:

Número de modelo \_\_\_\_\_

Número de serie \_\_\_\_\_

Estos números están en una etiqueta en el interior del horno.

## **GRACIAS POR HACER QUE GE APPLIANCES SEA PARTE DE SU HOGAR.**

---

Ya sea que haya crecido usando GE Appliances, o que ésta es su primera vez, nos complace tenerlo en la familia.

Sentimos orgullo por el nivel de arte, innovación y diseño de cada uno de los electrodomésticos de GE Appliances, y creemos que usted también. Entre otras cosas, el registro de su electrodoméstico asegura que podamos entregarle información importante del producto y detalles de la garantía cuando los necesite.

Registre su electrodoméstico GE ahora a través de Internet. Sitios Web y números telefónicos útiles están disponibles en la sección de Soporte para el Consumidor de este Manual del Propietario.

También puede enviar una carta en la tarjeta de inscripción preimpresa que se incluye con el material embalado.



**GE APPLIANCES**

# INFORMACIÓN IMPORTANTE DE SEGURIDAD

## LEA TODAS LAS INSTRUCCIONES ANTES DE USAR

### ▲ ADVERTENCIA

Para reducir el riesgo de quemaduras, descargas eléctricas, incendio, lesiones o exposición a energía de microondas excesiva:

Cuando utilice aparatos eléctricos, se deben seguir las precauciones de seguridad básicas, entre las que se incluyen las siguientes:

- Lea todas las instrucciones antes de utilizar este aparato.
- Lea y siga las precauciones específicas descritas en la sección PRECAUCIONES PARA EVITAR LA POSIBLE EXPOSICIÓN A ENERGÍA DE MICROONDAS EXCESIVA.
- Utilice este aparato solamente para el fin previsto, como se describe en este manual. No utilice químicos ni vapores corrosivos en este aparato. Este horno está específicamente diseñado para calentar, secar o cocinar alimentos y bebidas y no está diseñado para usarse en un laboratorio ni para uso industrial.
- Este electrodoméstico sólo debería ser reparado por personal técnico con calificación. En caso de necesitar una evaluación, reparación o ajuste, comuníquese con el servicio autorizado más cercano.

### INSTALACIÓN

- Instale o ubique este aparato únicamente de acuerdo a las instrucciones de instalación suministradas.
- Este aparato debe contar con una conexión a tierra. Conecte sólo a un tomacorriente con adecuada conexión a tierra. Ver la sección Instrucciones de conexión a tierra.
- Asegúrese de colocar la superficie frontal de la puerta a 3 pulgadas o más atrás del extremo superior de la mesada, a fin de evitar caídas accidentales del electrodoméstico durante su uso normal.
- Espacios recomendados: 3 pulgadas a cada lado, 3 pulgadas sobre la parte superior y 1 pulgada en la parte trasera.
- No utilice este aparato si tiene el cable eléctrico o el enchufe dañados, si no funciona bien o si ha sufrido una avería o una caída.
- Mantenga el cable alejado de superficies calientes.
- No permita que el cable eléctrico cuelgue sobre el borde de la mesa o del mostrador de encimera.
- No sumerja el cable eléctrico o el enchufe en agua.
- No cubra ni bloquee ninguna apertura de este aparato.

- No almacene este aparato al aire libre. No utilice este producto cerca del agua; por ejemplo, en un sótano húmedo, cerca de una piscina, cerca de un lavabo o lugares similares.
- No monte este aparato sobre el fregadero.

### PARA REDUCIR EL RIESGO DE INCENDIO DENTRO DEL HORNO:

- No cocine excesivamente los alimentos. Vigile cuidadosamente el aparato cuando se coloque papel, plástico u otros materiales combustibles dentro del microondas para facilitar la cocción.
- Quite las tiritas de seguridad (twist-ties) y asas metálicas de los recipientes de papel o plástico antes de colocarlos dentro del microondas.
- No guarde ningún material, a excepción de nuestros accesorios recomendados, en este horno cuando no esté en uso. No deje productos de papel, utensilios de cocina ni comida en el horno cuando no esté en uso. El estante del microondas se deberá retirar del horno cuando no se encuentre en uso.
- Si los materiales que se encuentran dentro del horno prenden fuego, mantenga cerrada la puerta del horno, apáguelo y desconecte el cable eléctrico, o corte la energía desde el panel de fusibles o del interruptor de circuitos.
- No opere el horno sin alimentos adentro.

### A FIN DE REDUCIR RIESGOS DE QUEMADURAS:

- Tenga cuidado al abrir envases con comida caliente. Use manijas y aleje el vapor del rostro y las manos.
- Ventile, perforo, o corte envases, bolsas, o bolsas plásticas para evitar la acumulación de presión.
- Tenga cuidado al tocar el plato giratorio, la puerta, estantes o paredes del horno, los cuales se podrán calentar durante el uso. No toque los elementos calefactores.
- La superficie de cocción y el bombillo de la cavidad interior encendidos ocasionarán quemaduras. Tenga cuidado al limpiar y espere hasta que los bombillos se enfríen antes de su reemplazo.
- **LOS CONTENIDOS CALIENTES PUEDEN OCASIONAR QUEMADURAS GRAVES. NO PERMITA QUE LOS NIÑOS USEN EL MICROONDAS.** Tenga cuidado al retirar ítems calientes.

## LEA Y GUARDE ESTAS INSTRUCCIONES

# INFORMACIÓN IMPORTANTE DE SEGURIDAD LEA TODAS LAS INSTRUCCIONES ANTES DE USAR

## **▲ ADVERTENCIA**

### **USO**

- No use el horno sin el plato giratorio en su posición. El plato giratorio no deberá tener restricciones, de modo que pueda girar.
- No se deberá introducir comida ni utensilios metálicos de tamaño excesivo en un horno microondas/ por convección, ya que incrementan el riesgo de descargas eléctricas y esto podrá ocasionar un incendio.
- No use productos de papel en el horno cuando el electrodoméstico sea usado en cualquier modo de cocción, excepto en la cocción con microondas.
- Asegúrese de que todos los utensilios usados en el horno microondas sean para uso en el mismo. Se pueden usar la mayoría de las cazuelas de vidrio, platos de cocción, tazas graduadas, tazas para postre, vajillas de cerámica o cubiertos de porcelana que no poseen bordes metálicos o vidriados con un brillo metálico, siguiendo las recomendaciones del fabricante.
- No almacene ningún elemento directamente sobre la superficie del horno de microondas cuando éste se encuentre en funcionamiento.
- Algunos productos tales como huevos enteros y contenedores sellados (por ejemplo, frascos sellados) son propensos a explotar y no deben calentarse en este horno. Tal uso del horno puede resultar en lesiones personales.
- No cocine demasiado las patatas. El deshidratado y incendiarse.
- No cubra el estante o cualquier parte del horno microondas con papel de aluminio. Esto ocasionará un sobrecalentamiento del horno microondas/ por convección.
- Cocine a fondo la carne de res o ave la carne de res a por los menos una temperatura INTERNA de 160° F y carne de ave a por lo menos una temperatura INTERNA de 180° F. Cocinar a estas temperaturas generalmente protege contra enfermedades causadas por los alimentos.
- Este horno no fue aprobado ni evaluado para uso en la marina.

### **LIMPIEZA**

- Desconecte el enchufe antes de realizar la limpieza.
- Mantenga el horno libre de acumulación de grasa.
- No limpie con almohadillas metálicas para fregar. Las piezas podrán quemar la almohadilla y tener contacto con partes eléctricas, involucrando riesgos de descargas eléctricas.
- Al limpiar superficies de puerta y horno que se unen al cerrar la puerta, use sólo jabones o detergentes suaves y no abrasivos, aplicando los mismos con una esponja limpia o tela suave. Enjuague bien.

### **AGUA SOBRECALENTADA**

- Líquidos, tales como agua, café o té, son capaces de sobrecalentarse más allá del punto de ebullición sin parecer que estén hirviendo. No siempre hay burbujeo o hervor visible cuando se saca el recipiente del horno microondas. **ESTO PUEDE RESULTAR EN LA EBULLICIÓN REPENTINA DE LÍQUIDOS MUY CALIENTES CUANDO SE MUEVE EL RECIPIENTE O SE INSERTA UNA CUCHARA U OTRO UTENSILIO DENTRO DEL LÍQUIDO.**
- Para reducir el riesgo de lesión física:
  - No sobrecaliente el líquido.
  - Revuelva el líquido antes y a la mitad del tiempo de calentamiento.
  - No utilice recipientes con costados rectos y cuellos angostos.
  - Después de calentar el recipiente, déjelo en el horno microondas por un período corto de tiempo antes de sacarlo.
  - Tenga extrema precaución cuando introduzca una cuchara u otro utensilio en el recipiente.

## **MARCAPASOS**

La mayoría de los marcapasos poseen protección contra interferencias de productos eléctricos, incluyendo microondas. Sin embargo, es aconsejable que los pacientes con marcapasos consulten a sus médicos ante cualquier duda.

# LEA Y GUARDE ESTAS INSTRUCCIONES

# INFORMACIÓN IMPORTANTE DE SEGURIDAD LEA TODAS LAS INSTRUCCIONES ANTES DE USAR

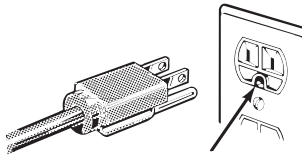
## PRECAUCIONES PARA EVITAR LA POSIBLE EXPOSICIÓN A ENERGÍA DE MICROONDAS EXCESIVA

- (a) **No intente hacer** funcionar el horno con la compuerta abierta ya que ésto puede provocar exposición peligrosa a la energía de microondas. Es importante no forzar ni dañar los seguros.
- (b) **No coloque** ningún objeto entre la parte frontal del horno y la compuerta, ni permita que se acumulen residuos de producto limpiador o detergente, suciedad o polvo en las superficies de sellado.
- (c) **No haga funcionar** el horno si se encuentra dañado. Es particularmente importante cerrar bien la compuerta
  - (1) la compuerta (doblada o curvada),
  - (2) las bisagras y pestillos (rotos o flojos),
  - (3) sellos de la compuerta y superficies de sellado.
- (d) **El horno no debe** ser ajustado o reparado por ninguna persona, excepto por personal de mantenimiento calificado.

## INSTRUCCIONES DE CONEXIÓN A TIERRA

### ⚠ ADVERTENCIA

El uso inadecuado del enchufe de conexión a tierra puede provocar riesgos de descargas eléctricas.



Asegúrese de contar con una conexión a tierra adecuada antes de usar.

Este electrodoméstico debe estar conectado a tierra. Si se produjera un cortocircuito, la toma de tierra reduce el riesgo de descarga eléctrica al proveer un cable de escape para la corriente eléctrica.

Este electrodoméstico está equipado con un cable de

corriente que dispone de un hilo para toma de tierra con un enchufe con toma de tierra. El enchufe debe estar conectado a una toma de corriente que esté debidamente instalada y con salida a tierra.

Consulte con un electricista cualificado o un técnico de reparaciones si no entiende completamente las instrucciones sobre la toma de tierra, o si tuviese alguna duda sobre si su aparato está debidamente conectado a tierra.

Si la toma de corriente es un modelo estándar de dos clavijas, es su responsabilidad personal y su obligación el reemplazarla por una toma adecuada para tres clavijas con conexión a tierra.

Bajo ninguna circunstancia debe cortar o quitar la tercera clavija (tierra) del cable de corriente.

Se brinda un cable de corriente corto a fin de reducir riesgos que puedan resultar de enredos o tropiezos con un cable más largo.

No recomendamos el uso de un cable de prolongación con este electrodoméstico. Si el cable de corriente es demasiado corto, haga que un electricista cualificado o un técnico de reparaciones instalen una toma de corriente cerca del electrodoméstico. (Consulte la sección ADVERTENCIA—CABLES DE PROLONGACIÓN.)

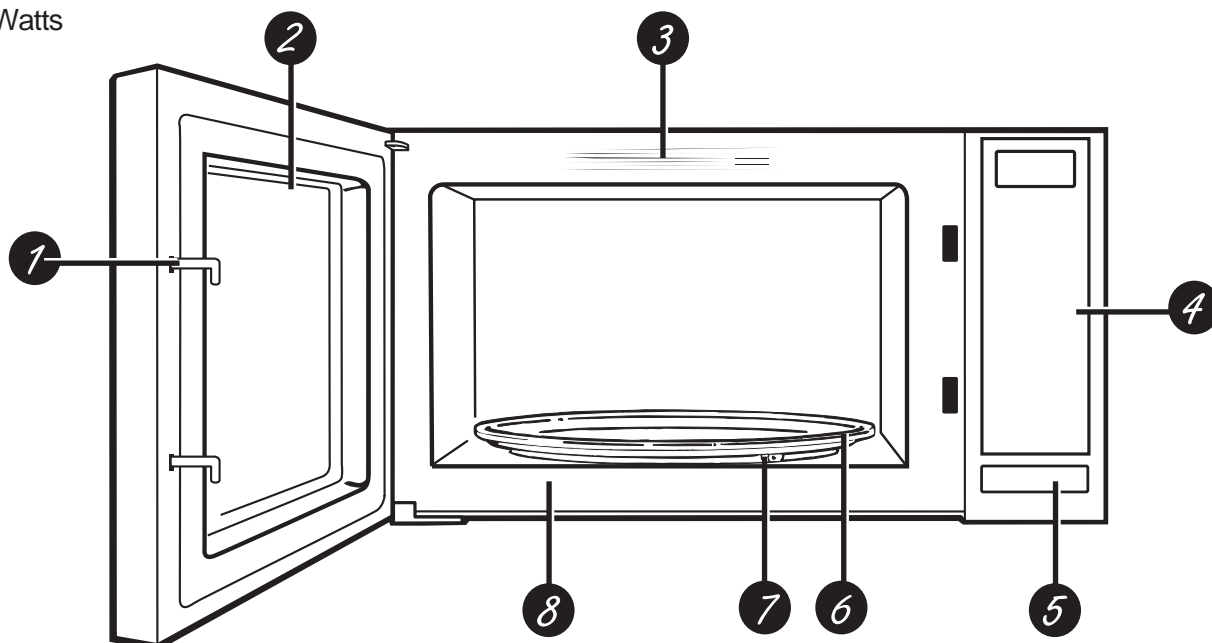
Para un mejor funcionamiento, enchufe este electrodoméstico en una toma de corriente exclusiva para evitar parpadeos de luz, fusibles quemados o que salte el diferencial.

## LEA Y GUARDE ESTAS INSTRUCCIONES

## Funciones

Su modelo puede tener otras características y apariencia que las ilustradas en este manual.

1150 Watts



- 1 **Enganches de la puerta.**
- 2 **Ventana con cobertura metálica.** La pantalla permite que usted pueda ver lo que cocina, al tiempo que mantiene las microondas confinadas en el horno.
- 3 **Guía de conveniencia.**
- 4 **Panel de control de toque y pantalla.**
- 5 **Botón de liberación de los enganches de la puerta.** Presione el botón de liberación de los enganches para abrir la puerta.
- 6 **Plato giratorio desmontable.** El plato giratorio y el soporte deben estar en la ubicación correcta al usar el horno. El plato giratorio se podrá retirar para su limpieza.
- 7 **Soporte Extraíble del Plato Giratorio.** El plato giratorio deberá estar en la ubicación correcta al usar el horno.
- 8 **Etiqueta de Calificación.**

# Modificar el Nivel de Potencia

**Modificar el Nivel de Potencia:** Los niveles de potencia variables añaden flexibilidad a la cocina con microondas. Los niveles de potencia del horno microondas pueden compararse con las unidades de la encimera (fogones) en una cocina. Cada nivel de potencia le proporciona energía microondas durante cierto porcentaje del tiempo. Nivel de potencia **7** (power level **7**) es energía microondas al 70% del tiempo. Nivel de potencia **3** (power level **3**) es energía al 30% del tiempo. Normalmente se cocinará en Alto (nivel de potencia **10**) (High, power level **10**) que proporciona una potencia del 100%. Power level **10** le permitirá cocinar más rápido, pero la comida, posiblemente, necesitará que la agite, gire o dé la vuelta más a menudo. Un nivel inferior cocinará la comida de forma más pareja y no necesitará que la agite, gire o dé la vuelta tanto. Algunas comidas pueden tener mejor sabor, textura o aspecto si se usa un nivel inferior. Use un nivel de potencia inferior cuando esté cocinando comidas que tengan tendencia a hervir, como las papas gratinadas.

Los períodos de descanso (cuando se acaba el ciclo de la

energía microondas) le dan tiempo a la comida a "igualarse" o transferir el calor a su interior. Se muestra un ejemplo de esto con el ciclo de descongelación--power level 3 Si la energía microondas no funcionara en ciclos, la parte externa de la comida se cocinaría antes de que el interior se descongelara.

Estos son algunos ejemplos de aplicaciones para diferentes niveles de potencia:

**Alta 10:** Pescado, bacon, verduras, calentar líquidos.

**Media alta 7:** Cocción suave de carne y aves, sirve para cocinar guisos y para recalentar.

**Media 5:** Cocina lenta y tierna para estofados o guisos y para partes menos tiernas de carne.

**Baja 2 o 3:** Para descongelar, cocer a "fuego" lento, para salsas delicadas.

**Algo caliente 1:** Mantener la comida caliente, ablandar la mantequilla.

## Acerca de las funciones

### Sensor de Humedad

Sensor Features (Funciones del Sensor) detectan la humedad creciente liberada durante la cocción. El horno ajusta de forma automática el tiempo de cocción a diferentes tipos y cantidades de comida.

No use Sensor Features (Funciones del Sensor) dos veces seguidas en la misma porción de comida; esto podrá hacer que la comida se sobrecaliente de forma excesiva o que se queme. Asegúrese de dejar que el horno se enfríe entre 5 y 10 minutos, antes de iniciar la siguiente cocción con sensor.

Si la comida no termina de cocinarse luego de la cuenta regresiva, use Cook Time (Tiempo de Cocción) para adicionar tiempo de cocción.

- Es esencial contar con envases y cobertores para una mejor cocción con sensor.



Cubierto

- Siempre use envases para uso seguro en el horno microondas y cubra los mismos con tapas o envoltorios de plástico ventilados.



Ventilado

Nunca use envases de plástico sellados – pueden impedir la salida de vapor y hacer que la comida se sobrecaliente.

- Asegúrese de que la parte exterior de los envases de cocción y el interior del horno microondas estén secos antes de colocar comida en el horno. Las gotas de humedad que se convierten en vapor pueden alterar el funcionamiento del sensor.



Seque los platos de modo que no alteren el funcionamiento del sensor.

# Modificar el Nivel de Potencia

## Cook Time

Le permite la cocción en microondas hasta un tiempo de 99 minutos y 99 segundos.

1. Presione el botón **COOK TIME** (Tiempo de Cocción).
2. Ingrese el tiempo de cocción.
3. El nivel de potencia está configurado de forma automática en 10, pero si desea reducir el nivel, presione **Power (Potencia)** y luego seleccione un nivel de 0 a 9.
4. Presione **Start (Iniciar)**.



Puede abrir la puerta durante la cocción para controlar la comida. Cierre la puerta y presione **Start (Iniciar)** para reiniciar la cocción.

## Express Cook (Cocción Express)

Esta es una manera rápida de configurar el tiempo de cocción en 1-6 minutos.

1. Presione una de las teclas de **Express Cook (Cocción Express)** (de 1 a 6) para una cocción entre 1 y 6 minutos en power level 10 (nivel de potencia 10). Por ejemplo: presione la tecla 2 para un tiempo de cocción de 2 minutos.

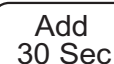


El nivel de potencia se puede modificar mientras se está realizando la cuenta regresiva. Presione **POWER LEVEL** (Nivel de Potencia) e ingrese una opción del 1 al 10.

**NOTA: La función Express Cook (Cocción Express) se activa sólo con las teclas 1 a 6.**

## Add 30 Sec (añada 30 segundos)

La misma agrega 30 segundos al tiempo de la cuenta regresiva cada vez que el botón es presionado. Cada vez que presione se sumarán 30 segundos, hasta 99 minutos y 59 segundos.



El horno comenzará a funcionar de inmediato cuando se presione.



# Acerca de las funciones

## Popcorn (Palomitas de Maíz)

Para usar la función de **Popcorn (Palomitas de Maíz)**:

1. Siga las instrucciones del paquete, usando Cook Time (Tiempo de Cocción) si el paquete pesa menos de 2.5 onzas o supera las 3.0 onzas. Coloque el paquete congelado de palomitas de maíz en el centro del microondas.
2. Presione **Popcorn (Palomitas de Maíz)**.
3. El microondas se iniciará de inmediato.

**IMPORTANTE:** No use las funciones del sensor dos veces seguidas con la misma porción de comida. Si la comida no se cocina luego de la primera cuenta regresiva, use Cook Time (Tiempo de Cocción) para adicionar tiempo.

Popcorn

Use sólo palomitas de maíz preempacadas para hornos microondas que pesen entre 2.5 y 3.0 onzas.

## Reheat

Cubra con una tapa o envoltorio de plástico ventilado.

1. Presione la tecla **Reheat (Recalentar)**.
2. Ingrese 1 o 2 para el código de comida – consulte la Guía de Cocción para la función REHEAT (Recalentar). El horno se inicia de inmediato.

No abra la puerta mientras el horno esté en funcionamiento.

**IMPORTANTE:** No use las funciones del sensor dos veces seguidas con la misma porción de comida. Si la comida no se cocina luego de la primera cuenta regresiva, use Cook Time (Tiempo de Cocción) para adicionar tiempo.

Reheat

Guía de Cocción para la función REHEAT (Recalentar)

| Ingrese el Código | Elección de Comida | Rango de Peso |
|-------------------|--------------------|---------------|
| 1                 | Pasta              | 4 a 16 onzas  |
| 2                 | Frutas y Verduras  | 4 a 16 onzas  |

## Beverage (Bebida)

Para usar la función Beverage (Bebida):

Presione la tecla BEVERAGE (Bebida). El microondas se configurará de forma automática para calentar una bebida de 8 onzas. El microondas se iniciará de inmediato.

Las bebidas calentadas con la función Beverage (Bebida) podrán estar muy calientes. Retire el recipiente con cuidado.

**IMPORTANTE:** No use las funciones del sensor dos veces seguidas con la misma porción de comida. Si la comida no se cocina luego de la primera cuenta regresiva, use Cook Time (Tiempo de Cocción) para adicionar tiempo.

Beverage

## Acerca de las funciones

### Potato (Papa)

Para usar la función Potato (Papa):

1. Presione la tecla POTATO (Papa).
2. Ingrese la cantidad (1 a 4 trozos de entre 6 y 8 onzas cada una)
3. El microondas se iniciará de inmediato.

Potato

**IMPORTANTE:** No use las funciones del sensor dos veces seguidas con la misma porción de comida. Si la comida no se cocina luego de la primera cuenta regresiva, use Cook Time (Tiempo de Cocción) para adicionar tiempo.

### Vegetable (Verdura)

Para usar la función Vegetable (Verdura):

1. Presione la tecla VEGETABLE (Verdura).
2. Ingrese el código de la Verdura. Para conocer los códigos, consulte la Guía de Cocción de Verduras que figura a continuación.
3. El microondas se iniciará de inmediato.

Vegetable

**IMPORTANTE:** No use las funciones del sensor dos veces seguidas con la misma porción de comida. Si la comida no se cocina luego de la primera cuenta regresiva, use Cook Time (Tiempo de Cocción) para adicionar tiempo.

#### Función Cooking Guide for VEGETABLE (Guía de Cocción de VERDURAS)

| Código de Verdura | Tipo de Verdura | Porciones Disponibles | Onzas por Porción   |
|-------------------|-----------------|-----------------------|---------------------|
| 1                 | Fresca          | 4 a 16 onzas          | 4 onzas por porción |
| 2                 | Congelada       | 4 a 16 onzas.         | 4 onzas por porción |
| 3                 | Enlatada        | 1 a 4 Porciones       | 4 onzas por porción |

### Plato para la Cena

Para usar la función Dinner Plate (Plato para la Cena):

1. Presione la tecla **Dinner Plate (Plato para la Cena)**.
2. Presione 1, 2 o 3 (1 es para 8 onzas de comida, 2 es para 12 onzas de comida, y 3 es para 16 onzas de comida).
3. El microondas se iniciará de inmediato.

Dinner  
Plate

**IMPORTANTE:** No use las funciones del sensor dos veces seguidas con la misma porción de comida. Si la comida no se cocina luego de la primera cuenta regresiva, use Cook Time (Tiempo de Cocción) para adicionar tiempo.

# Descongelación

## Descongelar

Le permite descongelar ya sea por peso como por tiempo. La siguiente Guía de Descongelación le brinda recomendaciones en relación a los tiempos.

**Defrost Weight/Time**

1. Para acceder a **Weight Defrost (Descongelación por Peso)**, presione el botón **Defrost Weight/Time (Tiempo/ Peso a Descongelar)** hasta que aparezca "LBS" en la pantalla.
2. Ingrese el peso (de .1 a 6 lb.) y luego presione **Start (Iniciar)**.
3. Para acceder a **Time Defrost (Descongelación por Tiempo)**, presione el botón **Defrost Weight/Time (Tiempo/ Peso a Descongelar)** hasta que aparezca "LBS" en la pantalla.
4. Ingrese el tiempo (de 1 segundo hasta 99 minutos y 99 segundos), y luego presione **Start (Iniciar)**.
5. Presione **Start/Pause (Iniciar/ Pausar)**.

Una vez transcurrido el tiempo de descongelación seleccionado, dé vuelta la comida y separe o reorganice los trozos de comida para una descongelación más pareja. Cubra cualquier área caliente con trozos pequeños de papel de aluminio. El horno continuará descongelando si no abre la puerta y da vuelta la comida.

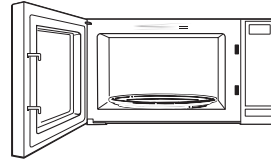
Es posible que se escuchen ruidos de golpes secos durante la descongelación. Esto es normal cuando el horno no está funcionando en el nivel de potencia 10.

### Consejos para la Descongelación

- Las comidas congeladas en papel o plástico se podrán descongelar en el paquete. Los paquetes cerrados se deberán cortar, perforar o ventilar LUEGO de que la comida se haya descongelado parcialmente. Los envases de plástico se deberán descubrir en forma parcial.
- Las comidas de tamaño familiar preempaquetadas se podrán descongelar y cocinar en el horno microondas. Si la comida se encuentra en un envase de papel de aluminio, traslade la

misma a un plato para uso seguro en el horno microondas.

- Las comidas que se echen a perder con facilidad no se deberán dejar reposar por más de una hora luego de la descongelación. La temperatura ambiente fomenta el desarrollo de bacterias nocivas.
- Para una descongelación más pareja de comidas más grandes, tales como comidas asadas, use **Weight Defrost (Descongelación por Peso)**. Asegúrese de que las carnes grandes estén totalmente descongeladas antes de realizar la cocción.
- Una vez descongelada, la comida deberá estar fría pero ablandada en todas las áreas. Si aún está un poco congelada, vuelva a colocarla en el horno microondas muy brevemente, o deje reposar la misma por unos pocos minutos.



Hay una guía manual ubicada en la parte interna del frente del horno.

- Retire la carne del paquete y coloque la misma en el plato de uso seguro en el microondas.
- Cuando el horno dé la señal, dé vuelta la comida. Retire la carne descongelada o cubra las partes calientes con trozos pequeños de papel de aluminio.
- Luego de descongelar, la mayoría de las carnes necesitan reposar durante 5 minutos para completar la descongelación. Al asar durante un tiempo prolongado, se deberá dejar reposar la carne por unos 30 minutos.

## Guía de descongelación

| Alimento   | Tiempo   | Comentarios  |
|--|--|--|
| <b>Panes, pasteles</b><br><i>Pan, panecillos o bollitos (1 unidad)</i><br><i>Bollitos dulces (aprox. 12 oz.)</i>                 | <b>1/4 min.</b><br><b>2 a 4 min.</b>   | Vuelva a arreglar luego de la mitad del tiempo.  |
| <b>Pescados y frutos de mar</b><br><i>Filetes, congelados (1 lb.)</i><br><i>Mariscos, piezas pequeñas (1 lb.)</i>                | <b>6 a 9 min.</b><br><b>3 a 7 min.</b>                                       | Coloque el bloque en un recipiente. Gire y separe después de la mitad del tiempo.  |
| <b>Fruta</b><br><i>Bolsa plástica—1 o 2</i><br>(Paquete de 10 oz.)   | <b>1 a 5 min.</b>  |  |
| <b>Carne</b><br><i>Tocino (1 lb.)</i><br><i>Salchichas (1 lb.)</i>   | <b>2 a 5 min.</b><br><b>2 a 5 min.</b>                                       | Coloque el paquete sin abrir en el horno. Deje reposar por 5 minutos después de descongelar.<br>Coloque el paquete sin abrir en el horno. Accione el microondas hasta que las salchichas puedan separarse. Deje reposar 5 minutos, si fuera necesario, para completar la descongelación.   |
| <b>Carne molida (1 lb.)</b><br><i>Asado: Res, cordero, ternera, cerdo</i><br><i>Filetes, chuletas y cortes pequeños</i>          | <b>4 a 6 min.</b><br><b>9 a 13 min. por lb.</b><br><b>4 a 8 min. por lb.</b> | Dé vuelta la carne después de la mitad del tiempo.<br>Utilice el nivel de potencia 10.<br>Coloque la carne en el recipiente de cocción. Dé vuelta después de la mitad del tiempo de cocción y cubra las áreas tibias con papel de aluminio. Luego de la segunda mitad del tiempo, separe los trozos con un cuchillo de mesa. Espere hasta que se complete la descongelación.   |
| <b>Carne de ave</b><br><i>Pollo, cortado para asadera-freidora (2 1/2 a 3 lbs.)</i><br><br><i>Pollo, entero (2 1/2 a 3 lbs.)</i> | <b>14 a 20 min.</b><br><br><b>20 a 25 min.</b>                               | Coloque el pollo envuelto en un recipiente. Quite la envoltura y dé vuelta la carne después de la mitad del tiempo. Cuando haya terminado, separe las piezas y use el microondas 2-4 minutos más, si fuera necesario. Deje reposar para terminar la descongelación.<br>Coloque el pollo envuelto en un recipiente. Después de la mitad del tiempo, quite la envoltura y gire. Cubra las áreas tibias con papel de aluminio. Termine de descongelar. Para completar la descongelación, haga correr agua fría en la cavidad hasta que las menudencias puedan quitarse. |
| <b>Gallina de Cornualles</b>   | <b>7 a 13 min. por lb.</b>   | Coloque la gallina sin envoltura en el horno con la pechuga hacia arriba. Dé vuelta después de la mitad del tiempo. Haga correr agua fría en la cavidad hasta que las menudencias puedan quitarse.   |
| <b>Pechuga de pavo (4 a 6 lbs.)</b>  | <b>3 a 8 min. por lb.</b>  | Coloque la pechuga sin envoltorio sobre un recipiente con la pechuga hacia abajo. Dé vuelta después de la mitad del tiempo, gire y cubra las áreas tibias con papel de aluminio. Descongele durante la segunda mitad del tiempo. Deje reposar durante 1-2 horas en el refrigerador para completar la descongelación.   |

## Sobre las otras funciones

### Clock (Reloj)

Presione para ingresar la hora del día..

1. Presione **Clock (reloj)**.
2. Entre la hora del día.
3. Presione **Clock (reloj)**.



### Pause (Pausa)

**START/PAUSE (Iniciar/Pausa)** le permite dejar de cocinar sin abrir la puerta ni borrar la pantalla. Presione **START/PAUSE (Iniciar/Pausa)** nuevamente para reiniciar el horno.



### Pizza

Para usar la función Pizza (Pizza):

1. Presione la tecla **Pizza (Pizza)**.
2. Ingrese la cantidad de porciones de pizza (1, 2, 3 o 4).
3. Presione **Start/Pause (Iniciar/ Pausar)**.



### Timer (Temporizador)

La función Timer (Temporizador) funciona sin corriente del horno microondas.

1. Presione **Timer On/ Off (Temporizador Encendido/ Apagado)**.
2. Ingrese la cantidad de tiempo durante el cual desea que se realice la cuenta regresiva.
3. Presione **Timer On/ Off (Temporizador Encendido/ Apagado)**. Cuando el tiempo concluya, el temporizador emitirá una señal.
4. Para detener o borrar el temporizador, presione **Timer On/Off (Temporizador Encendido/ Apagado)**.



### Verrouillage des commandes

Vous pouvez verrouiller le panneau de commande pour empêcher le démarrage accidentel du micro-ondes ou l'utilisation par les enfants.

Vous pouvez verrouiller le panneau de commande pour nettoyer les unités. Pour verrouiller ou déverrouiller les commandes, maintenez une pression sur le bouton « 0 » durant environ 3 secondes. Lorsque le panneau de commande est verrouillé, le mot « **LOCKED** » ou « **LOC** » apparaît à l'écran.

### Funcionamiento de la Puerta con Seguridad para Niños

#### PARA ABRIR LA PUERTA

La puerta se bloqueará automáticamente cada vez que se inicie un ciclo de cocción.

1. Presione **Start/Pause (Iniciar/ Pausar)** o **Cancel/Off (Cancelar/ Apagar)**.

2. Presione el botón **Front (Frente) (Liberación del Pestillo de la Puerta)** o empuje la manija, dependiendo del modelo.

**Nota: Nota: La puerta permanecerá desbloqueada hasta el próximo ciclo de cocción.**

### Cómo Desactivar el Bloqueo para Niños

En algunos casos, desactivar esta función sería lo más recomendable. Por ejemplo: en aquellos hogares donde no haya niños pequeños o en hogares donde los usuarios puedan tener limitaciones físicas que dificulten el funcionamiento de la puerta con seguridad para niños, es posible que se desee desactivar el pestillo con uso en dos pasos. Esta función se podrá desactivar siguiendo estos pasos.

1. Mantenga presionada la tecla "7" durante entre 3 y 5 segundos o hasta que escuche un pitido. Libérela.
2. Presione la tecla "9". Libérela.
3. Presione la tecla "0". Libérela.



UnLo

Disabled Confirmation Message  
Note: some models will simply remove "lock" or "lock icon"

Loc

Enabled Confirmation Message  
Note: some models will display "lock" or "lock icon"

Se escucharán dos pitidos breves y la pantalla parpadeará "UnLo" para confirmar que la condición por omisión se actualizó de forma exitosa. Para reactivar la puerta del horno con seguridad para niños, repita los pasos 1 a 3 que figuran más arriba. La pantalla exhibirá "Loc" (Bloqueado) para confirmar que la función fue reactivada.

# Cuidado y limpieza

## Consejos prácticos

Paramantener el interior fresco, pásele un paño con una solución de agua y bicarbonato sódico de cuando en cuando.

**Desenchufe el cable de corriente antes de limpiar cualquier parte de este horno.**



## Cómo limpiar el interior

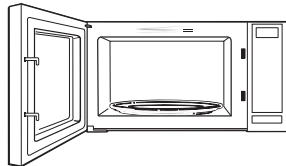
### Paredes, suelo, ventana interior y piezas de metal y plástico de la puerta

Algunas salpicaduras pueden limpiarse con una toalla de papel; otras pueden necesitar un paño húmedo. Quite las salpicaduras con un paño enjabonado y aclare con un paño húmedo. No use limpiadores abrasivos ni utensilios afilados en las paredes del horno.

Cuando limpie las superficies de la puerta y el horno que entran en contacto al cerrar la puerta, utilice únicamente jabones suaves y no abrasivos o detergentes, aplicándolos con una esponja o un paño suave.

Enjuague con un paño húmedo y seque.

Nunca use un limpiador comercial de horno en ninguna parte del microondas.



### Plato giratorio desmontable y el apoyo del plato giratorio

Para que no se rompa, no ponga el plato giratorio en agua justo después de cocinar. Límpiela con cuidado en agua tibia con jabón o en el lavaplatos automático. El plato giratorio y el apoyo pueden romperse si se caen. Recuerde, no ponga en marcha el horno sin que el plato giratorio y el apoyo estén encajadas en su lugar.



## Cómo limpiar el exterior

No use limpiadores con amoníaco o alcohol, ya que pueden dañar el aspecto del hornomicroondas.

### Caja

Limpie la parte externa del horno demicroondas con un paño humedecido con agua jabonosa. Enjuáguela y luego séquela. Pásele un paño humedecido limpio a la ventana para limpiarla.

### Panel de control y la puerta

Pásele un paño humedecido para limpiar. Seque completamente. No use esprays limpiadores, grandes cantidades de detergente y agua, abrasivos u objetos filosos sobre el panel, ya que lo podría dañar. Algunas toallas de papel podrían también dañar el panel de control.

### Superficie de la puerta

Es importantemantener el área donde la puerta se sella con el horno demicroondas limpia. Solamente use detergentes no abrasivos suaves aplicados con una esponja limpia o con un paño suave. Enjuague bien.

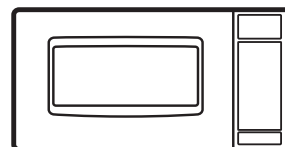
### Cable de Corriente

Si el cable se daña, desenchufe y limpie con una tela húmeda. En espacios difíciles de limpiar, se puede usar agua con jabón, pero asegúrese de enjuagar con una tela húmeda y seque totalmente antes de enchufar el cable en el enchufe

### Acero Inoxidable (en algunos modelos)

No use virutas de acero; éstas dañarán la superficie.

Para limpiar la superficie de acero inoxidable, use una tela caliente y húmeda con un detergente suave adecuado para superficies de acero inoxidable. Use una tela limpia, caliente y húmeda para eliminar el jabón. Seque con una tela limpia y seca. Siempre frote la superficie en la dirección del veteado.



# Consejos para la Solución de Problemas

| Problema   | Posibles causas   |
|--|---|
| El horno no se enciende  | Es posible que haya un fusible quemado en su hogar o que se haya desconectado el disyuntor. Reemplace el fusible o reinicie el disyuntor.   |
|  | Desenchufe el horno microondas; luego vuelva a enchufarlo.  |
|  | Asegúrese de que el cable de 3 patas del horno esté completamente insertado en el tomacorriente.  |
| El panel de control está iluminado, pero el horno aún no se inicia   | La puerta no está cerrada de forma segura.  |
|  | La tecla <b>Start/+30 Sec (Iniciar/+30 Seg)</b> debe ser presionada luego de ingresar la selección de la cocción.   |
|  | Otra selección ya fue ingresada en el horno y el botón <b>Pause/Off (Pausar/ Apagar)</b> no se presionó para cancelar la misma.   |
|  | Asegúrese de haber ingresado el tiempo de cocción luego de presionar <b>Cook Time (Tiempo de Cocción)</b> .   |
|  | Se presionó <b>Pause/ Off (Pausar/ Apagar)</b> de forma accidental. Reinicie el programa de cocción y presione <b>Start/+30 Sec (Iniciar/+30 Seg)</b> .                                     |
|  | Asegúrese de haber ingresado el peso de la comida luego de presionar <b>Defrost Weight (Peso de la Descongelación)</b> .  |
| El horno fue pausado de forma accidental. Presione <b>Start/+30 Sec (Iniciar/+30 Seg)</b> para reiniciar el programa de cocción. |   |
| En la pantalla se visualiza "FOOD" (Comida)  | El control detectó que la puerta no fue abierta (no fue colocada comida/ bebida dentro).  |
| En la pantalla se visualiza "LOC" (Bloqueado)  | El panel de control fue bloqueado. (Cuando el panel de control esté bloqueado, se visualizará "LOC"). Mantenga presionado "0" durante unos 3 segundos para desbloquear el panel de control. |
| "LOCKED" (Bloqueado) o "LOCK ICON" (ícono Bloqueado) aparece en la pantalla  | El control fue bloqueado. Mantenga presionado "0" durante unos 3 segundos para desbloquear el panel de control.   |
| En la pantalla se visualiza "PF"   | Se produjo un corte de corriente. Presione <b>Pause/Off (Pausar/ Apagar)</b> para borrar la pantalla.   |

## Cosas normales de su hornomicroondas

- Sale vapor de agua de alrededor de la puerta.
- Se refleja una luz alrededor de la caja exterior.
- A niveles de potencia que no sea el mayor la luz interior pierde brillo y cambia el sonido del ventilador.
- Ruido sordo de golpes mientras el horno está en funcionamiento.
- Pueden notarse interferencias en la TV/radio cuando el microondas está en marcha. Esto es parecido a las interferencias causadas por otros electrodomésticos pequeños, no es indicativo de ningún problema con el microondas. Enchufe el microondas a otro circuito eléctrico, mueva la TV tan alejada del microondas como sea posible.

## Términos de su horno microondas

| Término          | Definición  |
|------------------|---|
| Arco eléctrico   | El arco eléctrico es lo que, en la terminología de los microondas, describe las chispas en el horno. El arco eléctrico se produce cuando: <ul style="list-style-type: none"> <li>■ hay un metal o papel de aluminio tocando el lado del horno.</li> <li>■ el papel de aluminio no está envolviendo bien a los alimentos (hay bordes doblados hacia arriba que actúan como antenas).</li> <li>■ hay algún metal, como cintas de cierre con metal, pinchos de pollo o platos con decoración de oro.</li> <li>■ toallas de papel reciclado que contengan pedazos de metal.</li> <li>■ platos o vajillas con bordes metálicos o con una capa de brillo metálico.</li> </ul> |
| Cubiertas        | Las cubiertas mantienen la humedad dentro, permitiendo un calentamiento más parejo y reduciendo el tiempo de cocción. Cuando se agujerea el envoltorio de plástico o se cubre con papel de cera se permite la salida del vapor.   |
| Resguardar       | En un horno convencional, se tapan o resguardan las pechugas de pollo o las comidas horneadas para que no se doren demasiado. Al usar el microondas, use pequeñas cintas de papel de aluminio para cubrir partes finas, como las puntas de las alas en las aves, que podrían cocinarse antes que las partes mayores.  |
| Tiempo de reposo | Cuando cocina en hornos regulares, los alimentos como los asados o pasteles se dejan reposar para que acaben de cocinarse o se asienten. El tiempo de reposo es especialmente importante al cocinar con microondas. Tenga en cuenta que un pastel cocido en horno microondas no se coloca en un estante de enfriamiento.  |
| Ventilación      | Una vez que haya cubierto un plato con una envoltura plástica, ventile la envoltura plástica levantando una esquina para que el vapor pueda escapar.  |

# Garantía Limitada del Horno Microondas de GE Appliances

**GARANTÍA**

Staple your receipt here.  
Proof of the original purchase  
date is needed to make a  
warranty claim.

| For the period of   | GE Appliances Decidirá Reparar o Reemplazar:  |
|---|---|
| <b>One year</b><br>From the date of the original purchase | Cualquier producto que falle debido a un defecto en los materiales o la fabricación. La unidad de reemplazo posee garantía por el resto del período de garantía original de un año sobre el producto. |

## A Fin de Realizar un Reclamo sobre la Garantía:

Llame a GE Appliances al 800 GE CARES (800 432-2737). Tenga el número de modelo y el número de serie disponibles.

## Qué No Cubrirá GE Appliances:

- Instrucciones para el cliente. Este manual del propietario brinda información relacionada con instrucciones de funcionamiento y controles del usuario. El Manual del Propietario está disponible a través de Internet en GEAPPLIANCES.com
- Instalación, entrega o mantenimiento inadecuados.
- Falla del producto o daño sobre el mismo si se produce un abuso, uso inadecuado (por ejemplo: arco eléctrico en una cavidad de la rejilla o metal/ papel de aluminio), o uso diferente para el cual fue diseñado o uso comercial.
- Reemplazo de fusibles de la casa o reinicio de disyuntores.
- Daños ocasionados sobre el producto por accidente, incendio, inundaciones o catástrofes naturales.
- Daños consecuentes o incidentales causados por posibles defectos de este producto.
- Daño causado después de la entrega.

## EXCLUSIÓN DE GARANTÍAS IMPLÍCITAS

Su única y exclusiva alternativa es la reparación del producto, como se indica en la Garantía Limitada. Las garantías implícitas, incluyendo garantías implícitas de comerciabilidad o conveniencia sobre un propósito particular, se limitan a un año o al período más corto permitido por la ley.

Esta garantía se extiende al comprador original y a cualquier dueño subsiguiente de productos comprados para uso hogareño dentro de EE.UU.

Algunos estados no permiten la exclusión o limitación de daños fortuitos o consecuentes. Esta garantía limitada le da derechos legales específicos y es posible que tenga otros derechos legales que varían entre un estado y otro. Para conocer cuáles son sus derechos legales, consulte a la oficina de asuntos del consumidor local o estatal o al Fiscal de su estado.

Exclusión de garantías implícitas: Excepto cuando esté prohibido por la ley, no existen garantías, ya sean expresas, orales o estatutarias, que se extiendan más allá de la descripción aquí presente, incluyendo específicamente las garantías implícitas de comerciabilidad o conveniencia para un propósito particular.

**Garante: GE Appliances, a Haier company**

# Soporte para el Consumidor

---

## Sitio Web de GE Appliances

¿Desea realizar una consulta o necesita ayuda con su electrodoméstico? ¡Intente a través del Sitio Web de GE Appliances las 24 horas del día, cualquier día del año! Usted también puede comprar más electrodomésticos maravillosos de GE Appliances y aprovechar todos nuestros servicios de soporte a través de Internet, diseñados para su conveniencia.

En EE.UU.: [GEAppliances.com](http://GEAppliances.com)

---

## Registre su Electrodoméstico

¡Registre su electrodoméstico nuevo a través de Internet, según su conveniencia! Un registro puntual de su producto permitirá una mejor comunicación y un servicio más puntual de acuerdo con los términos de su garantía, en caso de surgir la necesidad. También puede enviar una carta en la tarjeta de inscripción preimpresa que se incluye con el material embalado.

En EE.UU.: [GEAppliances.com/register](http://GEAppliances.com/register)

---

## Piezas y Accesorios

Aquellos individuos calificados para realizar el servicio técnico de sus propios electrodomésticos podrán solicitar el envío de piezas o accesorios directamente a sus hogares (se aceptan las tarjetas VISA, MasterCard y Discover). Ordene hoy a través de Internet durante las 24 horas, todos los días. En EE.UU.: [GEApplianceparts.com](http://GEApplianceparts.com) o de forma telefónica al 877.959.8688 durante el horario de atención comercial.

**Las instrucciones que figuran en este manual cubren los procedimientos que serán realizados por cualquier usuario. Otros servicios técnicos generalmente deben ser derivados a personal calificado del servicio. Se deberá tener cuidado, ya que una reparación indebida podrá hacer que el funcionamiento no sea seguro.**

---

## Contáctenos

Si no se encuentra satisfecho con el servicio que recibió de GE Appliances, comuníquese con nosotros a través de nuestro sitio Web con todos los detalles, incluyendo su número telefónico, o escriba a:

En EE.UU.: General Manager, Customer Relations | GE Appliances, Appliance Park | Louisville, KY 40225  
[GEAppliances.com/ge/service-and-support/contact.htm](http://GEAppliances.com/ge/service-and-support/contact.htm)