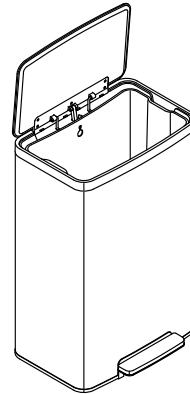




## 13-gallon curved stainless steel step can K-REC20958

### Features

- Space-saving profile fits snugly against wall or cabinets.
- Hinge design protects wall from scuffs.
- Hands-free operation with durable metal foot pedal.
- Handy lid lock holds lid in the open position – great for changing bags.
- Quiet-close lid closes gently and silently.
- Fingerprint-resistant finish stays cleaner longer.
- Stainless steel cleans easily with a water-dampened cloth – no need for cleaners or abrasives.
- Removable plastic liner is easy to clean.
- Designed to fit any brand of 13-gallon trash bag.



### Codes/Standards




None Applicable

### KOHLER® Step Trash Can Ten-Year Limited Warranty

See website for detailed warranty information.

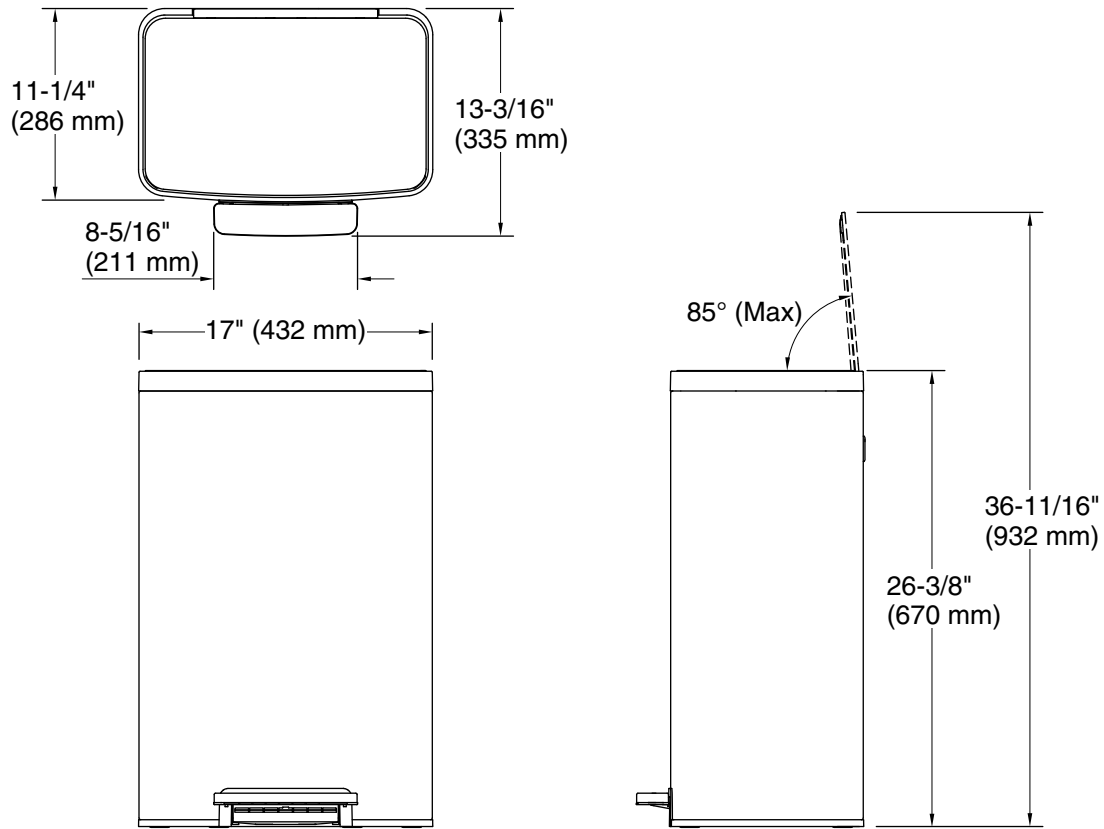
### Available Colors/Finishes

*Color tiles intended for reference only.*

Color	Code	Description
	ST	Stainless Steel
	BST	Black Stainless
	STW	White and Stainless Steel



13-gallon curved stainless steel step can  
**K-REC20958**



**Technical Information**

All product dimensions are nominal.

Material: Stainless Steel