

#### Features

- Oval basin with unglazed underside
- Overflow drain
- Fits standard 14" x 17" (356 x 432 mm) countertop cutout

#### Material

- Vitreous china

#### Installation

- Undermount

#### Recommended Products/Accessories

K-8998 P-Trap  
K-23726 Drain treatment  
K-23725 Cast iron cleaner

#### Included Components

1193643 Basin clamps



ADA CSA B651

#### Codes/Standards


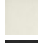
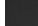
ASME A112.19.2/CSA B45.1  
ADA  
ICC/ANSI A117.1  
CSA B651

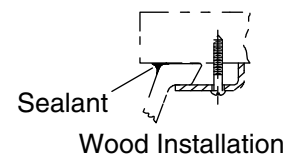
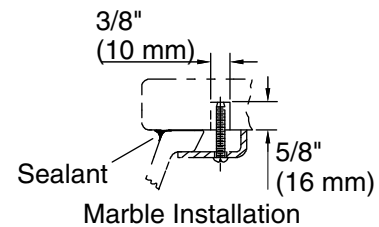
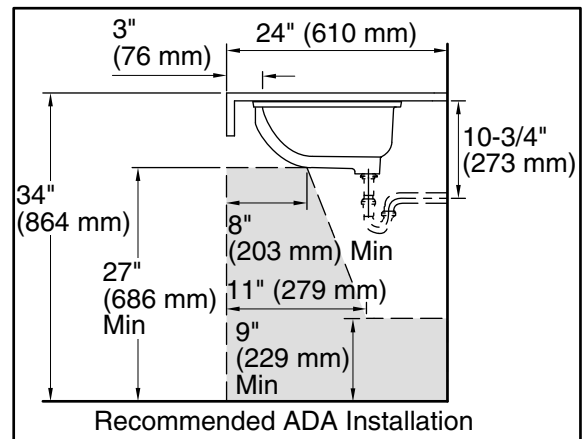
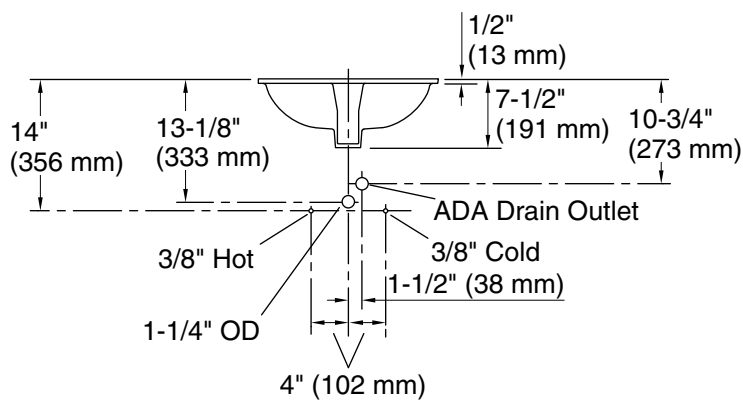
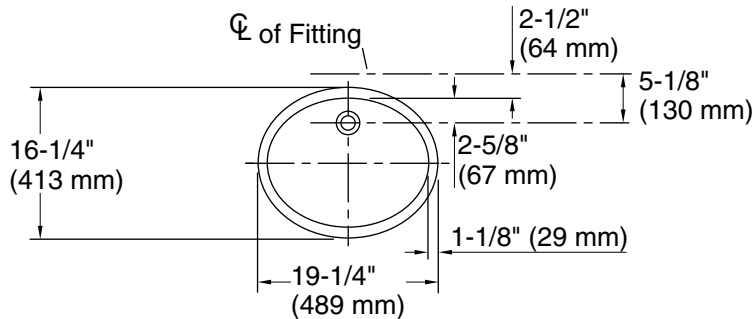
#### KOHLER® One-Year Limited Warranty

See website for detailed warranty information.

#### Available Colors/Finishes

*Color tiles intended for reference only.*

Color	Code	Description
	0	White
	96	Biscuit
	7	Black Black™



### Technical Information

All product dimensions are nominal.

Installation:	Undermount
Bowl area:	Length: 17" (432 mm) Width: 14" (356 mm) With overflow: Yes Water depth: 4" (102 mm)
With overflow:	Yes
Drain hole:	1-3/4" (44 mm)
Template:	1151011-7, required, not included

### Notes

Install this product according to the installation instructions.

**NOTICE:** Countertop manufacturer or cutter must use the current product template available at [www.kohler.com](http://www.kohler.com), or by calling 1-800-4KOHLER. Kohler Co. is not responsible for cutout errors when the incorrect cutout template is used.

ADA, CSA B651 compliant when installed to the specific requirements of these regulations.