

Features

- Elongated bowl offers added room and comfort
- Comfort Height® feature offers chair-height seating that makes sitting down and standing up easier for most adults
- Equipped with Sloan FLUSHMATE® – Sloan® Valve Company
- Polished Chrome trip lever
- Rear outlet
- 4" (102 mm) rough-in
- 1.0 gpf (3.8 lpf)

Material

- Vitreous china

Installation

- Seat and supply line sold separately

Recommended Products/Accessories

- K-4652 Lustra™ Quick-Release™ elongated toilet seat
- K-4652-A Lustra™ Quick-Release™ elongated toilet seat with antimicrobial agent
- K-7637 Angle Supply with Stop (single)
- K-5588 Purefresh® Deodorizing elongated toilet seat
- K-4108 C³®-230 Elongated bidet toilet seat with remote control
- K-5420 Low-Profile Bolt Caps

Included Components

- K-4305 Elongated toilet bowl
- K-4484 Toilet tank, 1.0 gpf



ADA

CSA B651

OBC

Codes/Standards




ASME A112.19.2/CSA B45.1
DOE - Energy Policy Act 1992
EPA WaterSense®
California Energy Commission (CEC)
ADA
ICC/ANSI A117.1
CSA B651
OBC

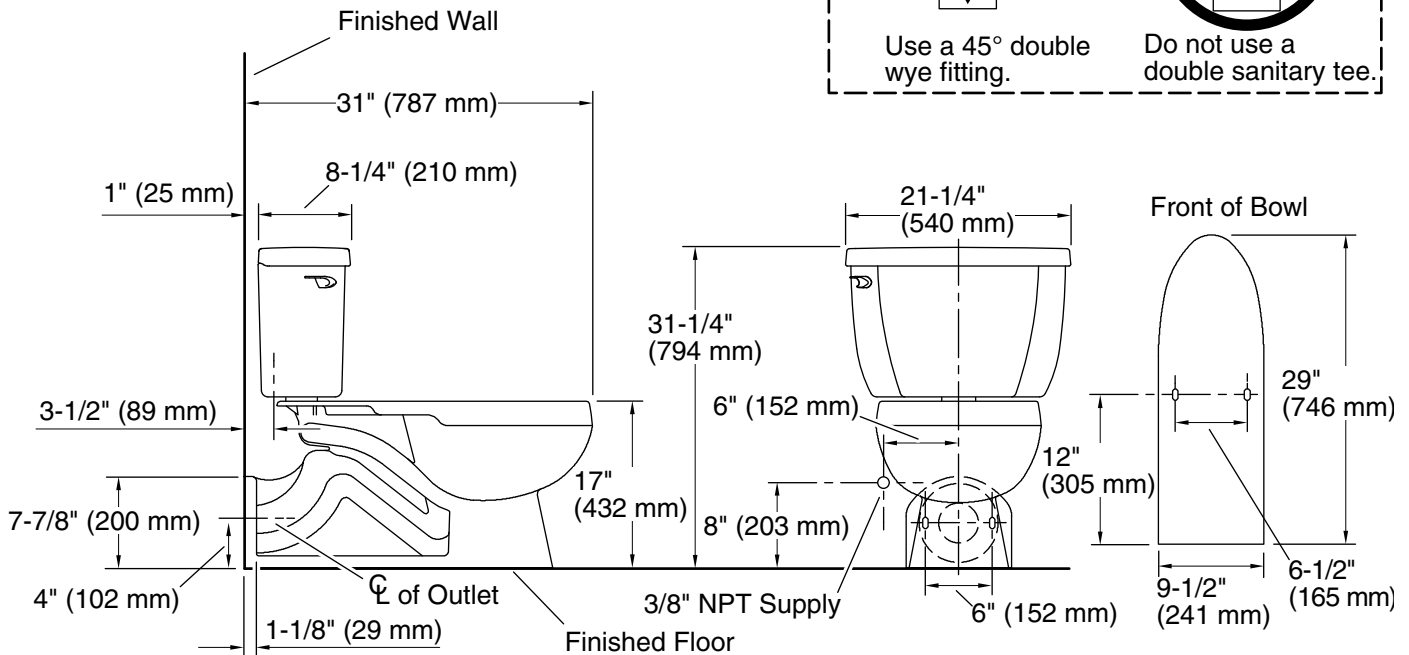
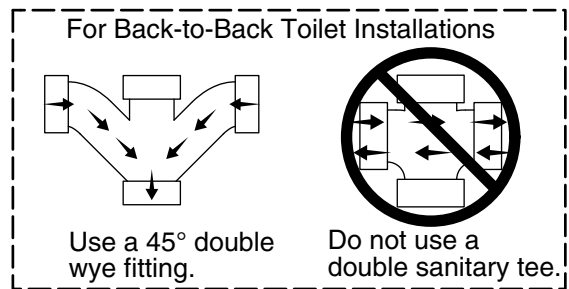
KOHLER® One-Year Limited Warranty

See website for detailed warranty information.

Available Colors/Finishes

Color tiles intended for reference only.

Color	Code	Description
	0	White
	96	Biscuit
	7	Black Black™



Technical Information

All product dimensions are nominal.

Toilet type:	Floor-mount
Waste Outlet:	Wall
Bowl shape:	Elongated
Flush type:	Pressure Lite
Trap passageway:	2-1/8" (54 mm)
Water surface size:	12" x 10" (305 mm x 254 mm)
Rim to water surface:	5-7/8" (149 mm)
Rough-in:	4" (102 mm)
Seat-mounting holes:	5-1/2" (140 mm)

Fixture Supply Requirements

Min static pressure:	35 psi (241.3 kPa)
Max static pressure:	80 psi (551.6 kPa)

Notes

Install this product according to the installation instructions.

For back-to-back toilet installations: Use only a 45° double wye fitting.

ADA, OBC, CSA B651 compliant when installed to the specific requirements of these regulations.

Plumbing codes may require elongated toilets and elongated, open-front seats in public bathrooms.

Accessibility standards may require controls to be located on the open side of the toilet.