

Features

- 36" minimum base cabinet width
- Double-equal bowls
- 9" (229 mm) depth provides generous workspace
- Three faucet holes
- Includes installation hardware

Material

- Premium 18-gauge stainless steel

Installation

- Top-mount

Recommended Products/Accessories

- K-3129 Sink rack for Undertone® and Verse™ kitchen sinks
- K-8801 Sink drain and strainer with tailpiece (Qty 2)
- K-8813 Stainless steel sink drain and strainer with tailpiece
- K-8814 Stainless steel sink drain and strainer
- 1177161 Installation Clip Kit
- K-8799 Sink drain and strainer basket
- K-23726 Drain treatment
- K-23729 Stainless steel cleaner

Optional Products/Accessories

- K-11352 Disposal Flange with Stopper

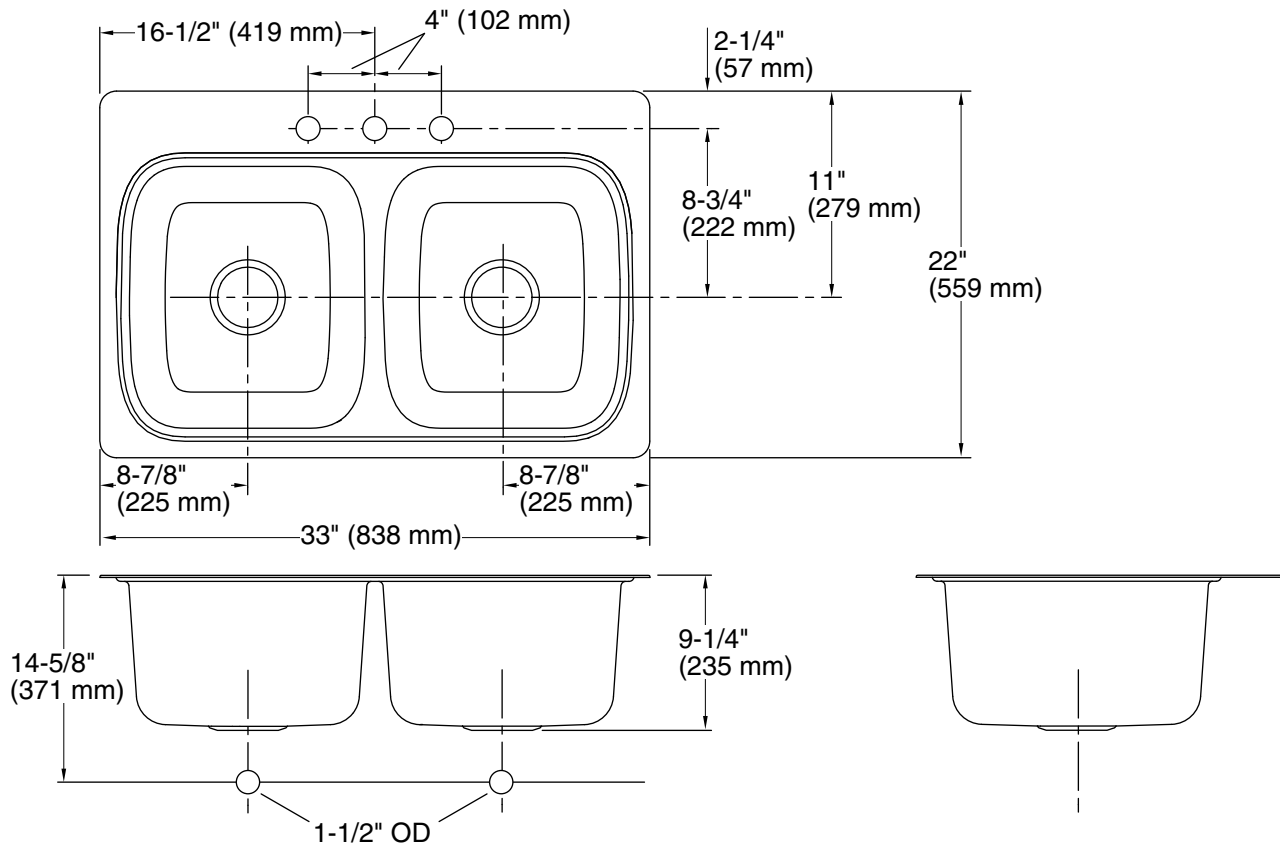


Codes/Standards

ASME A112.19.3/CSA B45.4
All applicable US Federal and State material regulations

KOHLER® Stainless Steel Sinks Lifetime Limited Warranty

See website for detailed warranty information.



Technical Information

All product dimensions are nominal.

Bowl configuration: Double equal

Installation: Top-mount

Center(s): 4

Min. base cabinet width: 36" (914 mm)

Bowl area: Length: 14-3/16" (361 mm)
 Width: 15-11/16" (399 mm)
 Bowl depth: 9" (229 mm)
 Water depth: 9" (229 mm)

Faucet hole spacing: 4" (102 mm)

Drain hole: 3-5/8" (92 mm)

Notes

Install this product according to the installation instructions.