

## Features

- Rectangular basin
- Overflow drain
- No faucet holes; requires wall- or counter-mount faucet

## Material

- Vitreous china

## Installation

- Undermount

## Recommended Products/Accessories

K-23726 Drain treatment  
K-23725 Cast iron cleaner

## Included Components

1193643 Basin clamps



ADA

CSA B651

## Codes/Standards




ASME A112.19.2/CSA B45.1  
ADA  
ICC/ANSI A117.1  
CSA B651

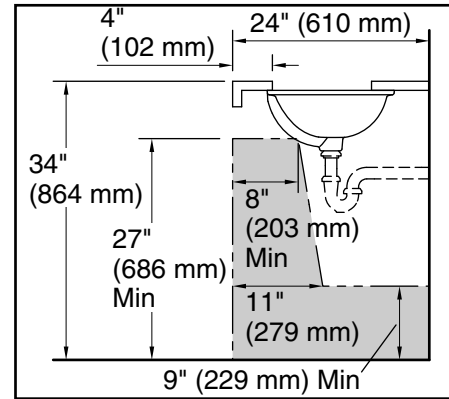
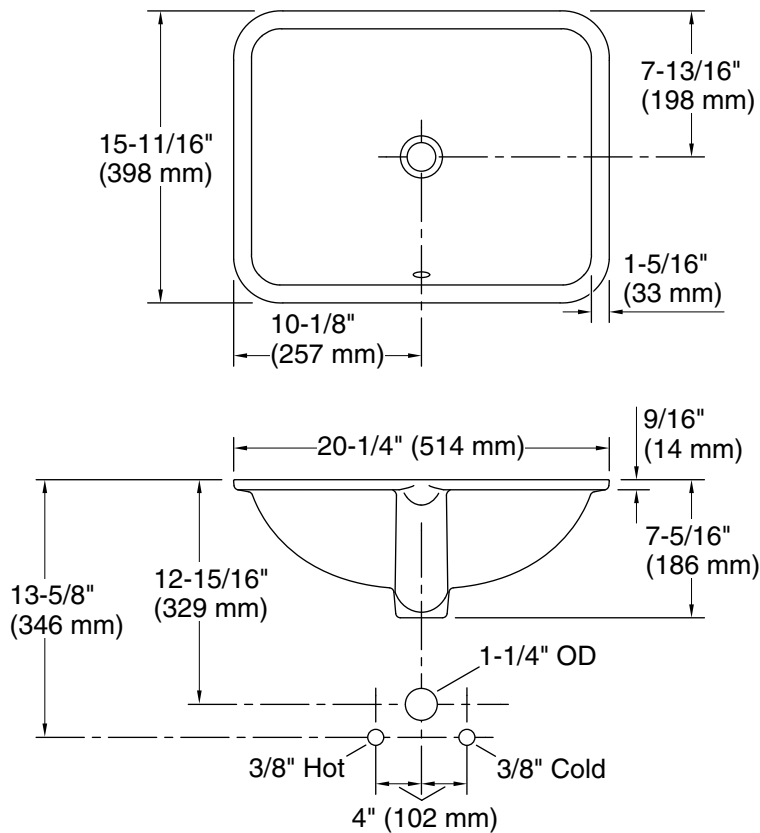
## KOHLER® One-Year Limited Warranty

See website for detailed warranty information.

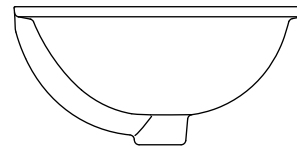
## Available Colors/Finishes

*Color tiles intended for reference only.*

Color	Code	Description
	0	White
	96	Biscuit
	7	Black Black™



Recommended ADA Installation



## Technical Information

All product dimensions are nominal.

Installation:	Undermount
Bowl area:	Length: 17-5/8" (448 mm) Width: 13-1/8" (334 mm) Bowl depth: 5-5/16" (135 mm) With overflow: Yes Water depth: 3-5/8" (93 mm)
With overflow:	Yes
Drain hole:	1-3/4" (44 mm)
Template:	Under-mount, 1281904-7, required, not included

## Notes

Install this product according to the installation instructions.

Countertop manufacturer or cutter must use the cut-out template provided with the product, or a current one provided by Kohler Co. (call 1-800-43-FOCUS). Kohler Co. is not responsible for cut-out errors when the incorrect cut-out template is used.

ADA, CSA B651 compliant when installed to the specific requirements of these regulations.