

### Features

- Washout urinal
- 3/4" (19 mm) top spud
- 0.125 - 1.0 gpf (0.47 - 3.8 lpf)
- Will replace K-4904-ET

### Material

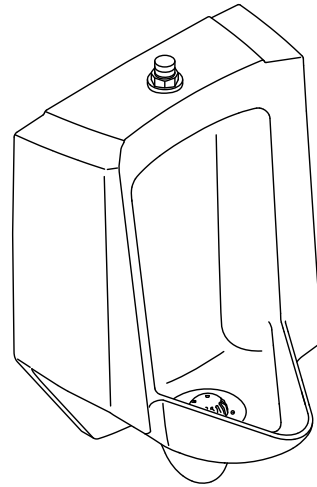
- Vitreous china

### Installation

- 14" (356 mm) extended rim

### Recommended Products/Accessories

- K-23726 Drain treatment
- K-23725 Cast iron cleaner
- K-4929 Waterless Urinal Maintenance Balls
- K-76317 Urinal flushometer, 0.125 gpf
- K-76319 Urinal flushometer, 1.0 gpf
- K-76318 Urinal flushometer, 0.5 gpf



ADA

CSA B651

### Codes/Standards

ASME A112.19.2/CSA B45.1  
DOE - Energy Policy Act 1992  
EPA WaterSense®  
California Energy Commission (CEC)  
ADA  
ICC/ANSI A117.1  
CSA B651




### KOHLER® One-Year Limited Warranty

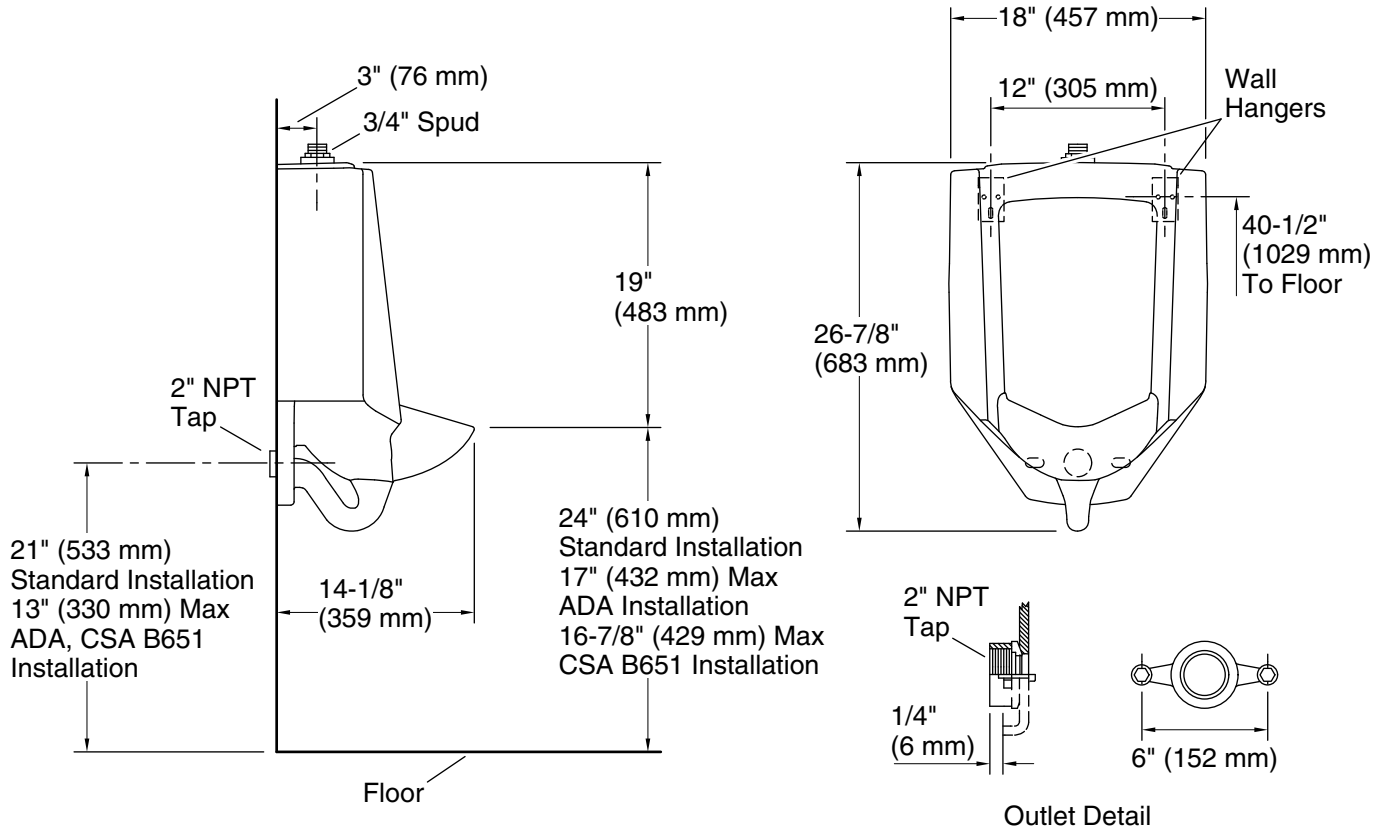
See website for detailed warranty information.

### Available Colors/Finishes

*Color tiles intended for reference only.*

#### Color Code Description

|   |    |              |
|---|----|--------------|
|  | 0  | White        |
|  | 96 | Biscuit      |
|  | 7  | Black Black™ |



### Technical Information

All product dimensions are nominal.

|                          |                   |
|--------------------------|-------------------|
| Flush outlet technology: | Washout           |
| Spud size:               | 3/4", Inlet, Top  |
| Min. Water per Flush:    | 0.125 gal (0.5 L) |
| Max. Water per Flush:    | 1 gal (3.8 L)     |

Designed for the above water use when installed with a water-saving flushometer.

### Notes

Install this product according to the installation guide.

Refer to manufacturer's instructions and local codes for flushometer requirements.

Recommended ADA outlet spud height will account for normal product variation.

For ADA compliance, measurement must be 17" (432 mm) or less from the floor to the top of the lip. For CSA B651 compliance, measurement must be 16-7/8" (429 mm) or less from the floor to the top of the lip.

ADA, CSA B651 compliant when installed to the specific requirements of these regulations.