

### Features

- 36-inch minimum base cabinet width for under-mount or top-mount installation.
- Single bowl.
- 9-1/2-inch depth.
- Includes 1 faucet hole on rear deck (3 more faucet holes available for knockout with ball-peen hammer & punch).
- Includes cutout templates.
- Includes K-6109 bottom sink rack.
- Optional K-5376 bottom sink rack (sold separately).

### Material

- KOHLER Neoroc® composite is durable and built to withstand day-to-day cleaning tasks.
- Matte finish offers rich, dimensional color.
- Solid color throughout the sink.
- Heat resistant up to 750 degrees F.
- Scratch, stain, chip, and thermal-shock resistant.

### Installation

- Top-mount or under-mount.

### Recommended Products/Accessories

K-9000 P-Trap  
K-5376 Sink Rack  
K-6109 Sink Rack  
K-8801 Sink Strainer  
K-8799 Sink Strainer

### Included Components

Additional Components:  
K-6109



### Codes/Standards




CSA B45.5/IAPMO Z124

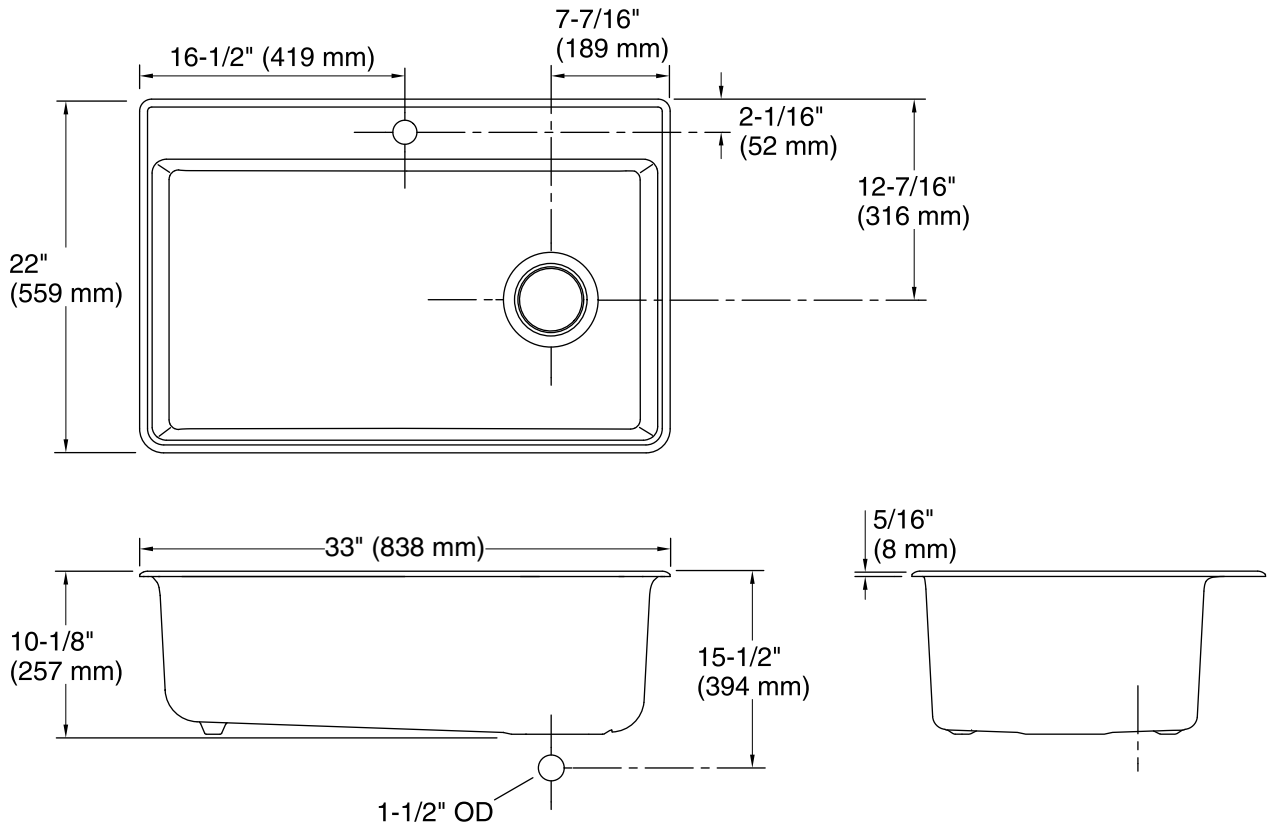
### KOHLER® Neoroc® Sinks Lifetime Limited Warranty

See website for detailed warranty information.

### Available Colors/Finishes

*Color tiles intended for reference only.*

Color	Code	Description
	CM7	Matte Graphite
	CM1	Matte Black
	CM2	Matte Brown



## Technical Information

All product dimensions are nominal.

Installation: Under-mount, Top-mount

Min. base cabinet width: 36" (914 mm)

Bowl area: Length: 33-1/8" (841 mm)  
 Width: 16-15/16" (430 mm)  
 Bowl depth: 9-1/2" (241 mm)  
 Water depth: 9-1/2" (241 mm)

Drain hole: 3-7/8" (98 mm)

Template: 1281757-7, required, included

## Notes

Install this product according to the installation instructions.