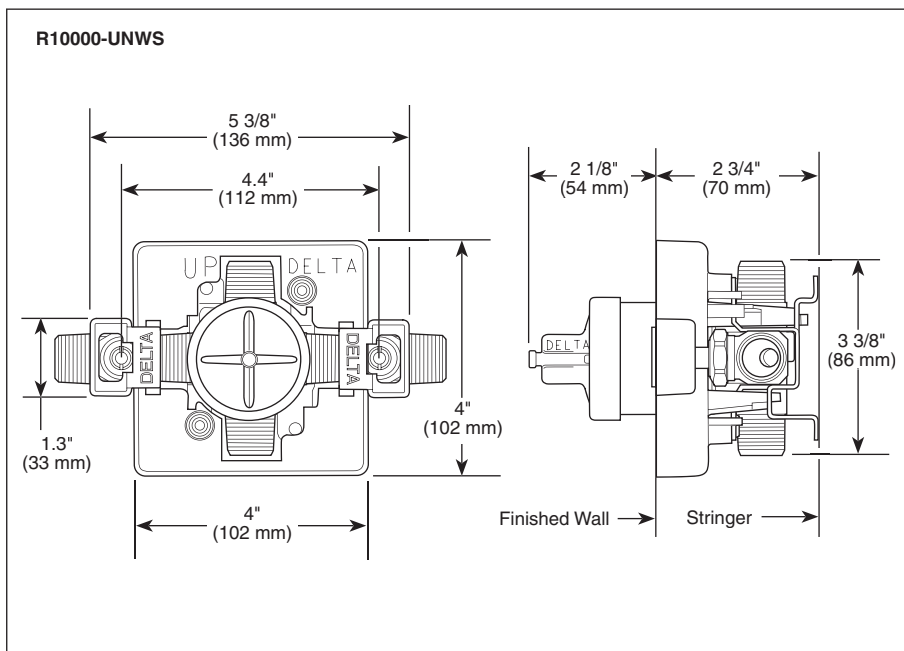
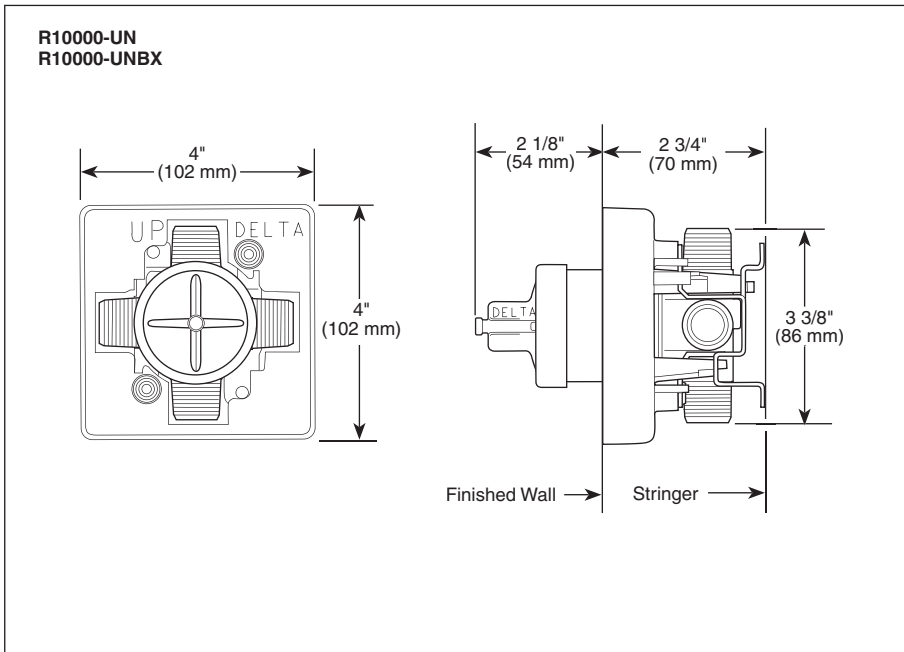


Submitted Model No.: \_\_\_\_\_

Specific Features: \_\_\_\_\_



## MULTICHOICE™ UNIVERSAL ROUGH VALVE BODY

- R10000-UN (Case Qty 12)
- R10000-UNBX (Case Qty 3)
- R10000-UNWS (Case Qty 12)
- R10000-PX (Case Qty 12)
- R10000-PXWS (Case Qty 12)
- R10000-IP (Case Qty 12)
- R10000-IPWS (Case Qty 12)

### STANDARD SPECIFICATIONS:

- Forged brass body.
- Back-to-Back installation capabilities.
- Can be tested with air (200 PSI) or water (300 PSI) without valve using supplied test cap.
- Square plasterguard allows for right angle cuts.
- Thin wall mounting.
- For use with Multi Choice™ Universal single or dual function trim. Cartridge ships with trim.

### WARRANTY

- Lifetime Faucet and Finish Limited Warranty to the original consumer purchaser to be free from defects in material and workmanship.
- 5 Year Limited Warranty for usage in all industrial, commercial and business applications.



### COMPLIES WITH:

- ASME A112.18.1 / CSA B125.1



55 E. 111th Street, Indianapolis, IN 46280  
395 Matheson Blvd. E., Mississauga, ON L4Z 2H2  
© 2006 Masco Corporation of Indiana